



# Energy Storage Systems

Last Updated: Apr 18, 2024

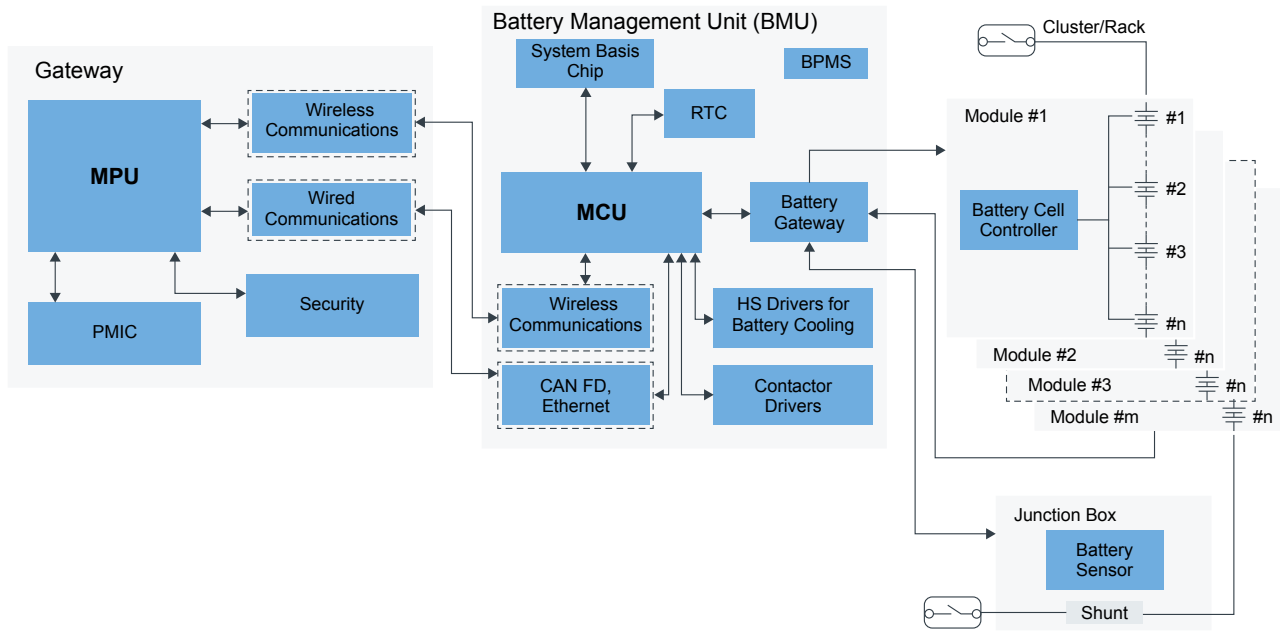
The transition to renewable energy sources, electrification of vehicles and the need for resilience in power supplies have been driving a very positive trend for Li-Ion based battery storage systems.

NXP provides complete system solutions for battery management, for which leadership technologies are used for security, functional safety, detection of thermal runaway, cell monitoring, wireless and wired connectivity and microcontrollers in a broad range of performance and feature sets.

NXP's own Transport Protocol Link technology enables modular storage at scalability with practically no limits. MCU free and SW free storage modules can be communicated through SPI, CAN FD or UART to easily scale from a few kWh capacity in residential to MWh for utility scale.

High-accuracy data can be accessed for advanced algorithms for SOC and SOH algorithms as well as optimal power management.

**ESS Including BMS for HV Block Diagram**



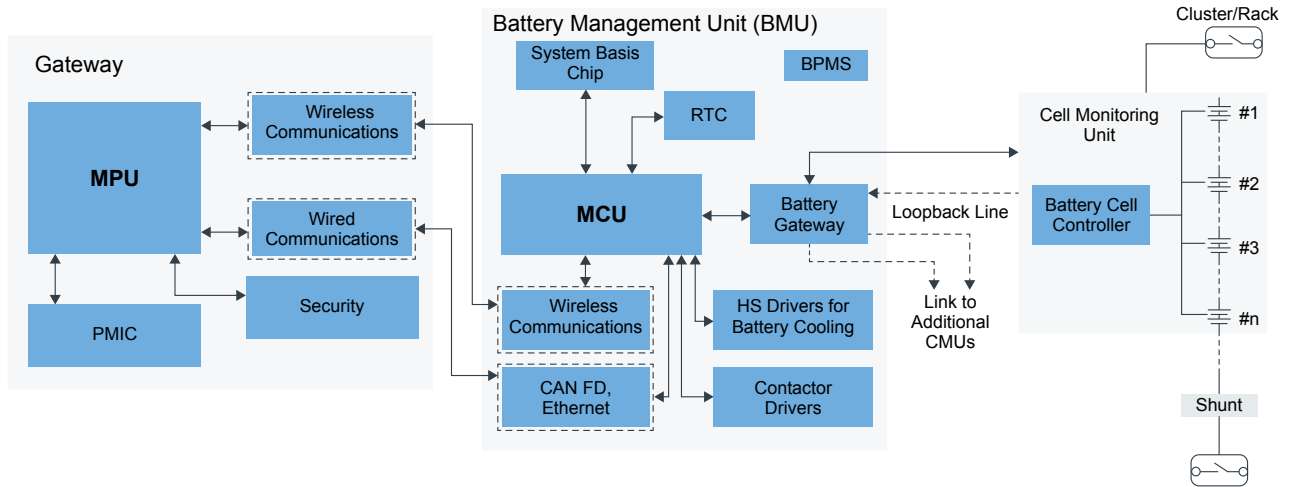
■ NXP Technology   
 ■ Non NXP Technology   
 □ Optional Technology

### Recommended Products for ESS Including BMS for HV

Battery Cell Controller	<ul style="list-style-type: none"> <li>• <a href="#">MC33771C</a>: 14-Channel Li-Ion Battery Cell Controller IC</li> <li>• <a href="#">MC33775</a>: 14 Channel Li-Ion Battery Cell Controller IC ASIL D</li> </ul>
BPMS	<ul style="list-style-type: none"> <li>• <a href="#">NBP8-9x</a>: Highly Integrated Battery Pressure Monitor Sensor</li> </ul>
Battery Sensor	<ul style="list-style-type: none"> <li>• <a href="#">MC33772C</a>: 6-Channel Li-Ion Battery Cell Controller IC</li> <li>• <a href="#">MM9Z1_638</a>: Battery Sensor with CAN and LIN</li> </ul>
Battery Gateway	<ul style="list-style-type: none"> <li>• <a href="#">MC33664</a>: Isolated Network High-Speed Transceiver</li> <li>• <a href="#">MC33665A</a>: General Purpose BMS Communication TPL Transceiver and CAN FD Gateway</li> </ul>

MCU	<ul style="list-style-type: none"> <li>• <a href="#">MCX-A14X-A15X</a>: MCX A14x/15x MCUs with Arm® Cortex® M33, Scalable Device Options, Low Power and Intelligent Peripherals</li> <li>• <a href="#">MCX-N94X-N54X</a>: MCX N94x/54x Highly Integrated Multicore MCUs with On-Chip Accelerators, Intelligent Peripherals and Advanced Security</li> <li>• <a href="#">i.MX-RT1170</a>: i.MX RT1170: 1 GHz Crossover MCU with Arm® Cortex® Cores</li> <li>• <a href="#">LPC553x</a>: LPC553x/S3x: Advanced Analog Arm®Cortex®-M33-Based MCU Family</li> <li>• <a href="#">S32K1</a>: S32K1 Microcontrollers for Automotive General Purpose</li> <li>• <a href="#">S32K3</a>: S32K3 Microcontrollers for Automotive General Purpose</li> </ul>
Contactors Drivers	<ul style="list-style-type: none"> <li>• <a href="#">HB2000</a>: SPI Programmable 10 A H-Bridge Brushed DC Motor Driver</li> <li>• <a href="#">MC33996</a>: 16-Output Switch with SPI Control</li> </ul>
RTC	<ul style="list-style-type: none"> <li>• <a href="#">PCF2131</a>: Nano-Power Highly Accurate RTC with Integrated Quartz Crystal</li> </ul>
HS drivers for battery cooling	<ul style="list-style-type: none"> <li>• <a href="#">MC12XS6</a>: External Automotive Lighting Multi-Channel eXtreme Switch</li> <li>• <a href="#">XS2410</a>: Quad 100 mΩ / Dual 50 mΩ, 3.0 V to 60 V High-Side Switch</li> </ul>
MPU	<ul style="list-style-type: none"> <li>• <a href="#">i.MX8MNANO</a>: i.MX 8M Nano Family - Arm® Cortex®-A53, Cortex-M7</li> <li>• <a href="#">i.MX6ULL</a>: i.MX 6ULL Single-Core Processor with Arm® Cortex®-A7 Core</li> </ul>
PMIC	<ul style="list-style-type: none"> <li>• <a href="#">PCA9450</a>: Power Management IC (PMIC) for i.MX 8M Mini/Nano/Plus</li> <li>• <a href="#">PF1510</a>: Power Management Integrated Circuit (PMIC) for Low Power Application Processors</li> </ul>
Security	<ul style="list-style-type: none"> <li>• <a href="#">SE050</a>: EdgeLock® SE050: Plug and Trust Secure Element Family – Enhanced IoT security with high flexibility</li> </ul>
System Basis Chip	<ul style="list-style-type: none"> <li>• <a href="#">FS26</a>: Safety System Basis Chip with Low Power, for ASIL D Systems</li> </ul>
Wireless Communication	<ul style="list-style-type: none"> <li>• <a href="#">88W8987</a>: 2.4/5 GHz Dual-Band 1x1 Wi-Fi® 5 (802.11ac) + Bluetooth® 5.2 Solution</li> <li>• <a href="#">IW416</a>: 2.4/5 GHz Dual-Band 1x1 Wi-Fi® 4 (802.11n) + Bluetooth® 5.2 Solution</li> </ul>
Wireless Communication	<ul style="list-style-type: none"> <li>• <a href="#">88W8987</a>: 2.4/5 GHz Dual-Band 1x1 Wi-Fi® 5 (802.11ac) + Bluetooth® 5.2 Solution</li> <li>• <a href="#">IW416</a>: 2.4/5 GHz Dual-Band 1x1 Wi-Fi® 4 (802.11n) + Bluetooth® 5.2 Solution</li> </ul>
Wired Communications	<ul style="list-style-type: none"> <li>• <a href="#">TJA1042</a>: High-Speed CAN Transceiver with Standby Mode</li> <li>• <a href="#">TJA1057</a>: High-Speed CAN Transceiver - Mantis Family</li> <li>• <a href="#">Automotive Ethernet PHYs</a>: Automotive Ethernet PHY Transceivers</li> </ul>
Wired Communications	<ul style="list-style-type: none"> <li>• <a href="#">TJA1042</a>: High-Speed CAN Transceiver with Standby Mode</li> <li>• <a href="#">TJA1057</a>: High-Speed CAN Transceiver - Mantis Family</li> <li>• <a href="#">Automotive Ethernet PHYs</a>: Automotive Ethernet PHY Transceivers</li> </ul>

## ESS Including BMS for 48V Block Diagram



NXP Technology
  Non NXP Technology
  Optional Technology

### Recommended Products for ESS Including BMS for 48V

Battery Cell Controller	<ul style="list-style-type: none"> <li>• <a href="#">MC33771C</a>: 14-Channel Li-Ion Battery Cell Controller IC</li> </ul>
BPMS	<ul style="list-style-type: none"> <li>• <a href="#">NBP8-9x</a>: Highly Integrated Battery Pressure Monitor Sensor</li> </ul>
Battery Gateway	<ul style="list-style-type: none"> <li>• <a href="#">MC33664</a>: Isolated Network High-Speed Transceiver</li> <li>• <a href="#">MC33665A</a>: General Purpose BMS Communication TPL Transceiver and CAN FD Gateway</li> </ul>
MCU	<ul style="list-style-type: none"> <li>• <a href="#">MCX-A14X-A15X</a>: MCX A14x/15x MCUs with Arm<sup>®</sup> Cortex<sup>®</sup> M33, Scalable Device Options, Low Power and Intelligent Peripherals</li> </ul>

	<ul style="list-style-type: none"> <li>• <a href="#">MCX-N94X-N54X</a>: MCX N94x/54x Highly Integrated Multicore MCUs with On-Chip Accelerators, Intelligent Peripherals and Advanced Security</li> <li>• <a href="#">i.MX-RT1170</a>: i.MX RT1170: 1 GHz Crossover MCU with Arm® Cortex® Cores</li> <li>• <a href="#">LPC553x</a>: LPC553x/S3x: Advanced Analog Arm®Cortex®-M33-Based MCU Family</li> <li>• <a href="#">S32K1</a>: S32K1 Microcontrollers for Automotive General Purpose</li> <li>• <a href="#">S32K3</a>: S32K3 Microcontrollers for Automotive General Purpose</li> </ul>
Contactors Drivers	<ul style="list-style-type: none"> <li>• <a href="#">HB2000</a>: SPI Programmable 10 A H-Bridge Brushed DC Motor Driver</li> <li>• <a href="#">MC33996</a>: 16-Output Switch with SPI Control</li> </ul>
RTC	<ul style="list-style-type: none"> <li>• <a href="#">PCF2131</a>: Nano-Power Highly Accurate RTC with Integrated Quartz Crystal</li> </ul>
MPU	<ul style="list-style-type: none"> <li>• <a href="#">i.MX8MPLUS</a>: i.MX 8M Plus – Arm® Cortex®-A53, Machine Learning, Vision, Multimedia and Industrial IoT</li> <li>• <a href="#">i.MX8MNANO</a>: i.MX 8M Nano Family - Arm® Cortex®-A53, Cortex-M7</li> <li>• <a href="#">i.MX6ULL</a>: i.MX 6ULL Single-Core Processor with Arm® Cortex®-A7 Core</li> </ul>
PMIC	<ul style="list-style-type: none"> <li>• <a href="#">PCA9450</a>: Power Management IC (PMIC) for i.MX 8M Mini/Nano/Plus</li> <li>• <a href="#">PF1510</a>: Power Management Integrated Circuit (PMIC) for Low Power Application Processors</li> </ul>
Security	<ul style="list-style-type: none"> <li>• <a href="#">SE050</a>: EdgeLock® SE050: Plug and Trust Secure Element Family – Enhanced IoT security with high flexibility</li> </ul>
System Basis Chip	<ul style="list-style-type: none"> <li>• <a href="#">FS26</a>: Safety System Basis Chip with Low Power, for ASIL D Systems</li> </ul>
Wireless Communication	<ul style="list-style-type: none"> <li>• <a href="#">88W8987</a>: 2.4/5 GHz Dual-Band 1x1 Wi-Fi® 5 (802.11ac) + Bluetooth® 5.2 Solution</li> <li>• <a href="#">IW416</a>: 2.4/5 GHz Dual-Band 1x1 Wi-Fi® 4 (802.11n) + Bluetooth® 5.2 Solution</li> </ul>
Wireless Communication	<ul style="list-style-type: none"> <li>• <a href="#">88W8987</a>: 2.4/5 GHz Dual-Band 1x1 Wi-Fi® 5 (802.11ac) + Bluetooth® 5.2 Solution</li> <li>• <a href="#">IW416</a>: 2.4/5 GHz Dual-Band 1x1 Wi-Fi® 4 (802.11n) + Bluetooth® 5.2 Solution</li> </ul>
HS Drivers for Battery Cooling	<ul style="list-style-type: none"> <li>• <a href="#">MC12XS6</a>: External Automotive Lighting Multi-Channel eXtreme Switch</li> <li>• <a href="#">XS2410</a>: Quad 100 mΩ / Dual 50 mΩ, 3.0 V to 60 V High-Side Switch</li> </ul>
Wired Communications	<ul style="list-style-type: none"> <li>• <a href="#">TJA1042</a>: High-Speed CAN Transceiver with Standby Mode</li> <li>• <a href="#">TJA1057</a>: High-Speed CAN Transceiver - Mantis Family</li> <li>• <a href="#">Automotive Ethernet PHYs</a>: Automotive Ethernet PHY Transceivers</li> </ul>
Wired Communications	<ul style="list-style-type: none"> <li>• <a href="#">TJA1042</a>: High-Speed CAN Transceiver with Standby Mode</li> <li>• <a href="#">TJA1057</a>: High-Speed CAN Transceiver - Mantis Family</li> <li>• <a href="#">Automotive Ethernet PHYs</a>: Automotive Ethernet PHY Transceivers</li> </ul>

View our complete solution for [Energy Storage Systems](#).

**Note:** The information on this document is subject to change without notice.

**www.nxp.com**

NXP and the NXP logo are trademarks of NXP B.V. All other product or service names are the property of their respective owners. The related technology may be protected by any or all of patents, copyrights, designs and trade secrets. All rights reserved. © 2024 NXP B.V.