



# Layerscape® Access LA12xx Programmable Baseband Processor

## LA12xx

### Active

Contact [NXP support](#) or your sales representative for pricing and buying options.

Last Updated: Apr 11, 2024

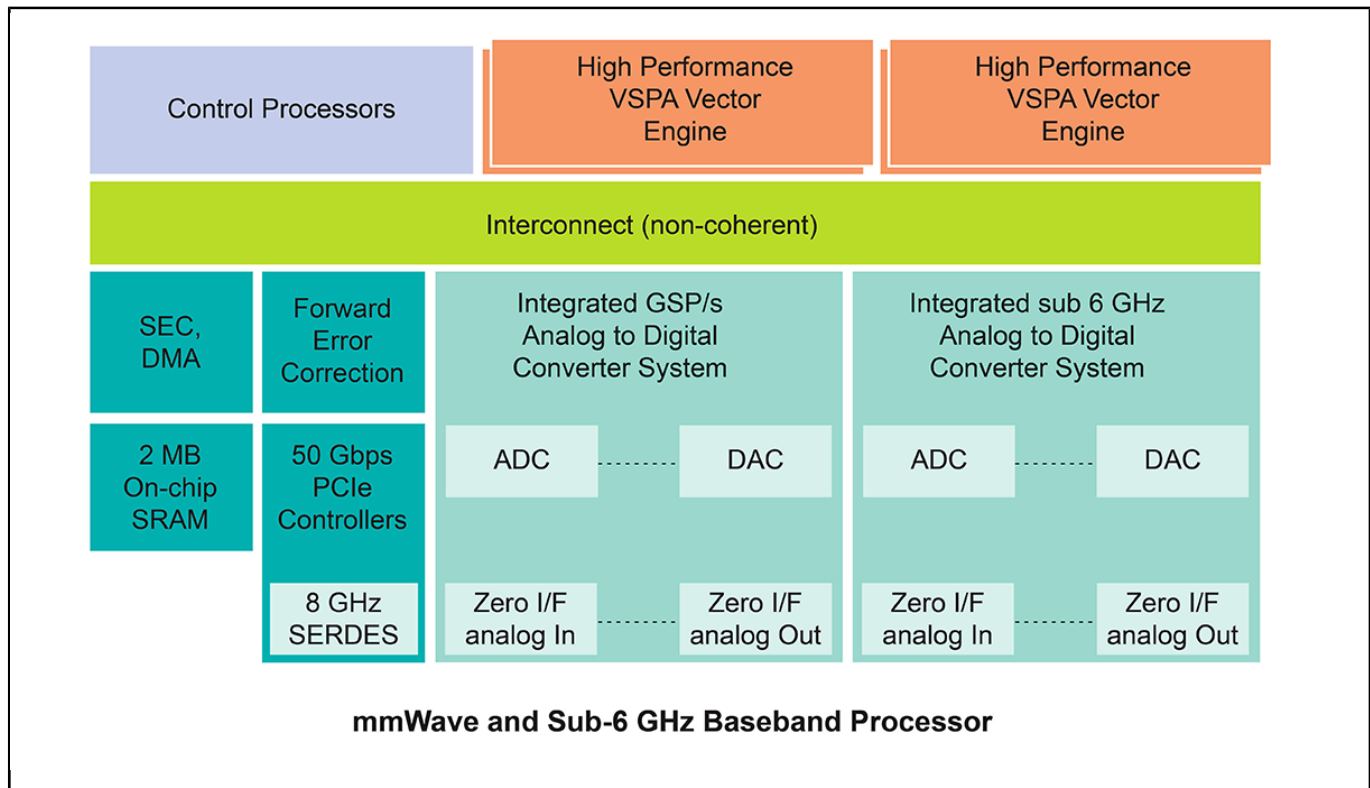
The Layerscape Access LA12xx family of programmable baseband processors delivers high-performance digital signal processing capabilities, performance scalability and application flexibility for 5G sub-6 GHz and mmWave Fixed Wireless Access equipment such as Integrated Small Cells, O-RAN Distributed Unit and Radio Unit and Customer Premises Equipment (CPE). It can be also used in proprietary wireless applications such as defense and civilian radio systems and non-terrestrial networks (NTN).

The family is equipped with a unique combination of:

- High performance Vector Signal Processing Accelerators (VSPA)
- Forward Error Correction Accelerator (FECA)
- Integrated data converting subsystem (ADC/DAC)

For additional information and sample availability, contact [NXP Support](#).

## Layerscape Access LA12xx Block Diagram Block Diagram



View additional information for [Layerscape® Access LA12xx Programmable Baseband Processor](#).

**Note:** The information on this document is subject to change without notice.

**www.nxp.com**

NXP and the NXP logo are trademarks of NXP B.V. All other product or service names are the property of their respective owners. The related technology may be protected by any or all of patents, copyrights, designs and trade secrets. All rights reserved. © 2024 NXP B.V.