



NHS52S04: Ultra-Low-Power Bluetooth® Low Energy Solution With Arm® Cortex®-M33 TrustZone® for Medical IoT

NHS52S04

Last Updated: Feb 16, 2024

The NHS52S04 provides connectivity solutions for medical IoT applications. The NHS52S04 device constitute a highly integrated, single chip, ultra-low-power Bluetooth® Low Energy 5.3 wireless transceiver with embedded microcontroller and flash.

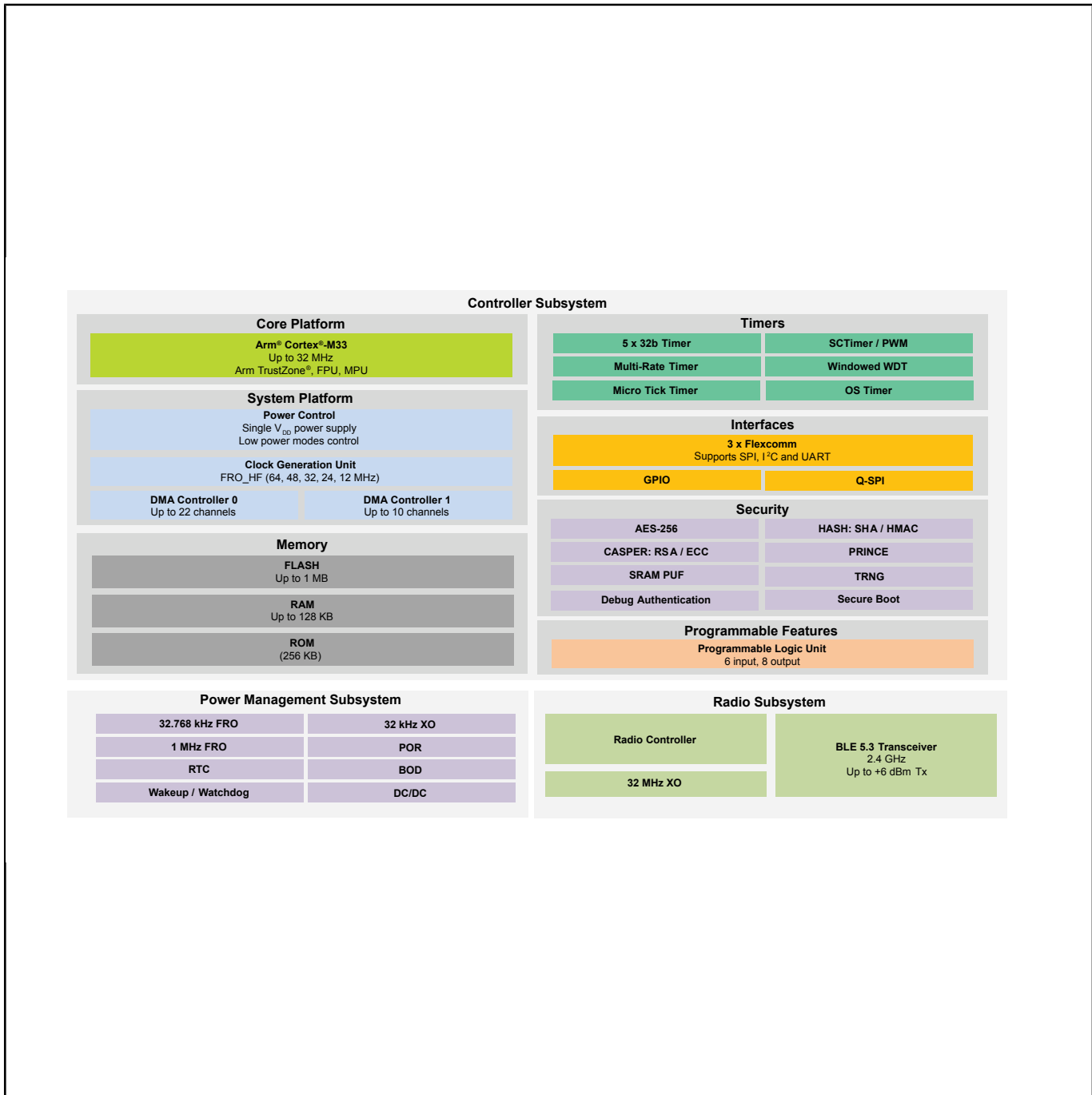
Because of the integrated ultra-low-power radio and flash, the NHS52S04 provides extended battery lifetime. The NHS52S04 is a cost-effective solution within a small solution area required for body-worn sensors and actuator applications like smart skin patches, smart inhalers and vital signs monitoring.

The NHS52S04 runs directly from a Lithium battery or from an external PMIC-based product architecture.

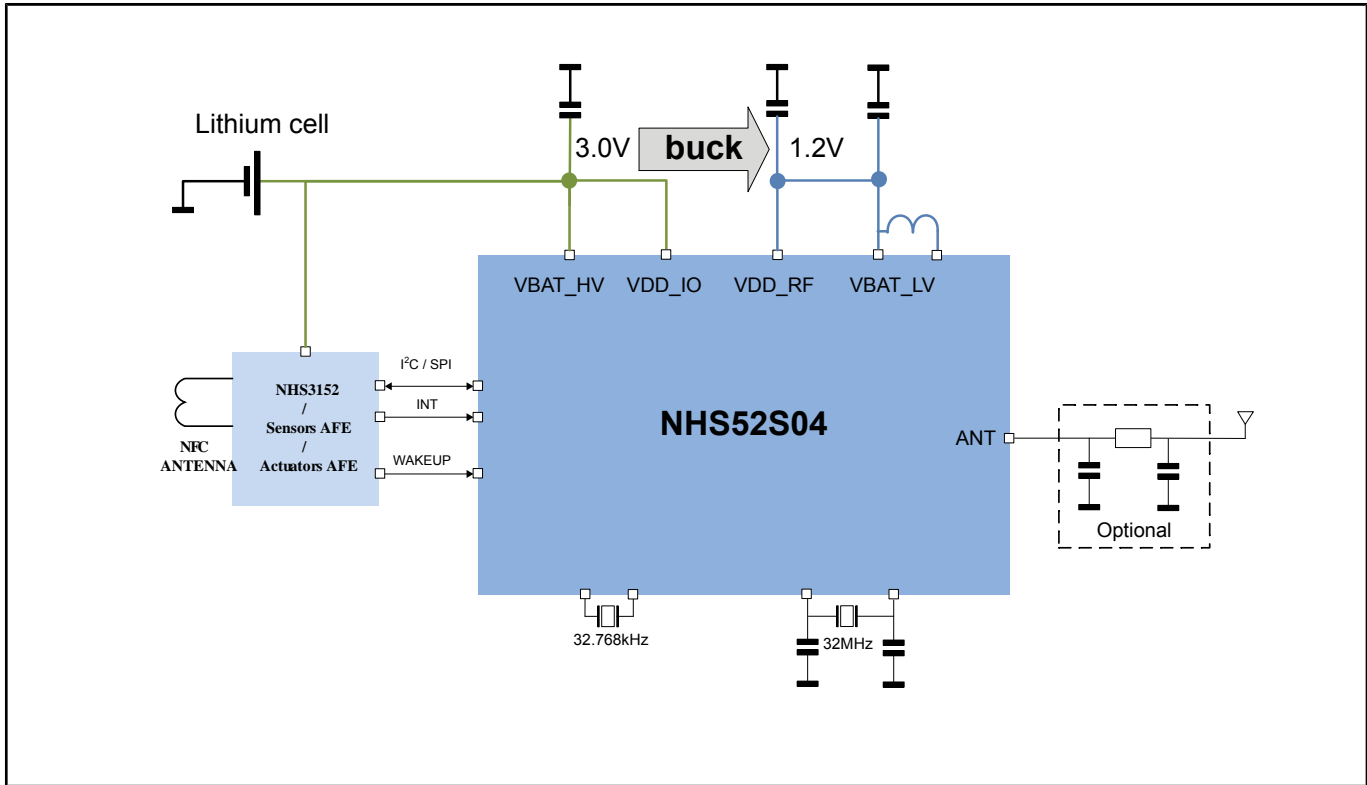
Built with advanced security in mind, the NHS52S04 is part of the NXP EdgeLock® Assurance program.

NHS52S04 and enablement (documentation, software and boards) are available for select customers. For additional information and sample availability, [contact support](#) or your local sales representative.

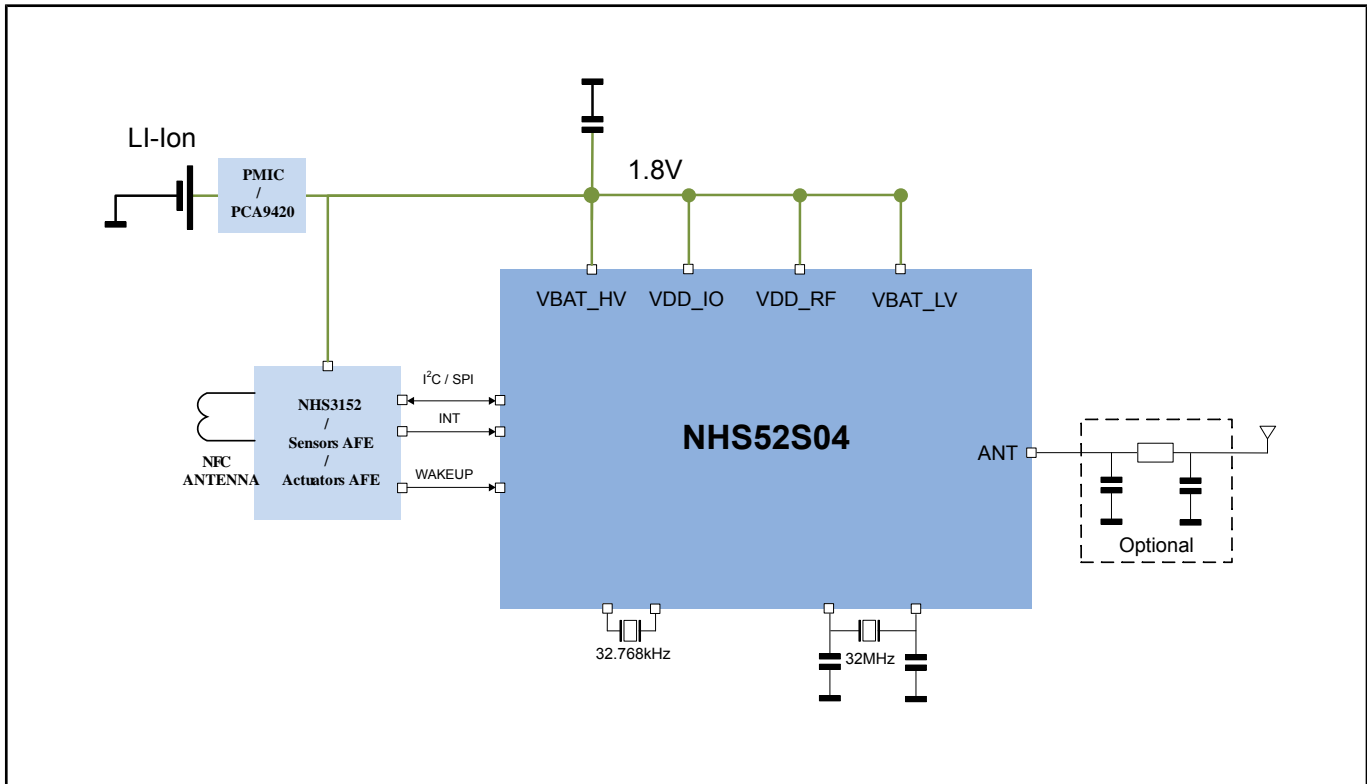
NHS52S04 Block Diagram



NHS52S04 with 3 V Lithium Cell Block Diagram



NHS52S04 with PMIC Block Diagram



Note: The information on this document is subject to change without notice.

www.nxp.com

NXP and the NXP logo are trademarks of NXP B.V. All other product or service names are the property of their respective owners. The related technology may be protected by any or all of patents, copyrights, designs and trade secrets. All rights reserved. © 2024 NXP B.V.