



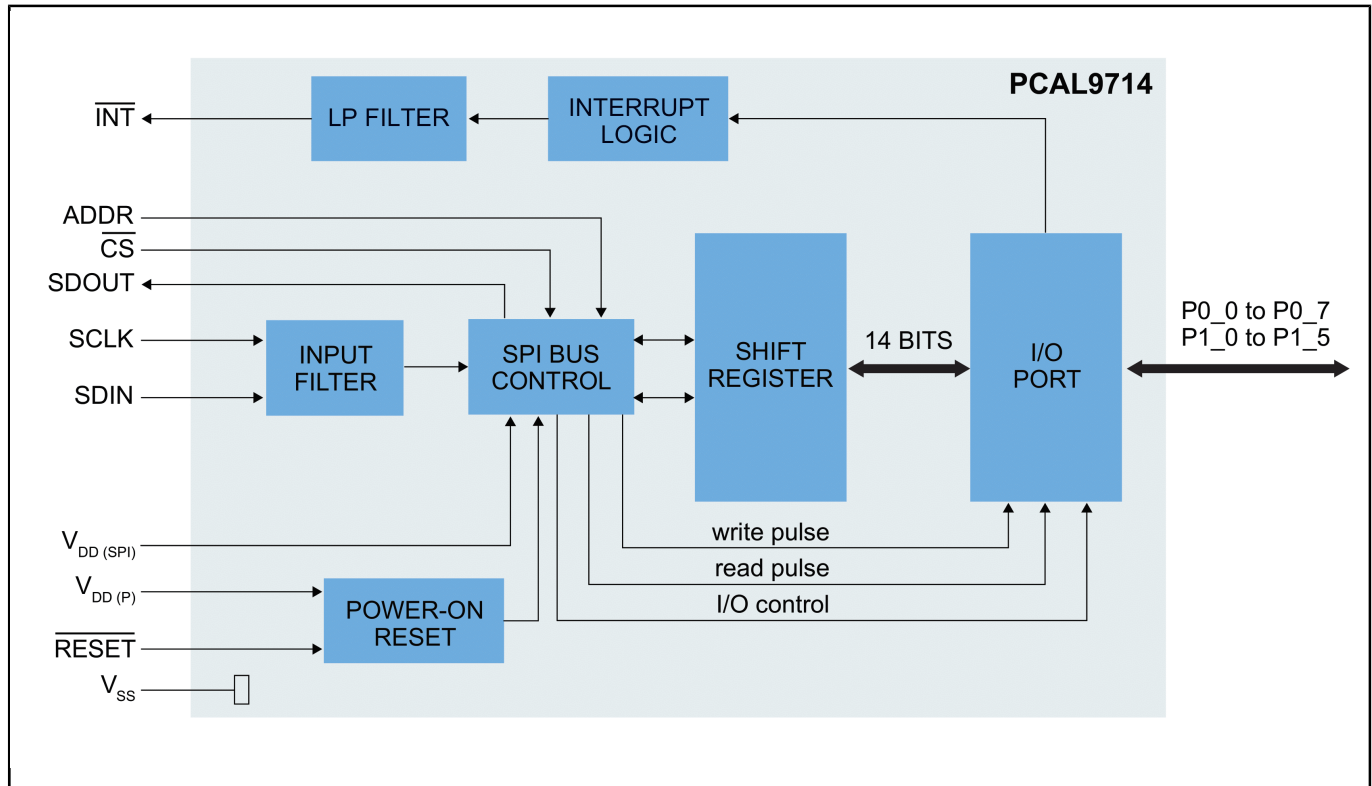
14-Bit SPI I/O Expander with Agile I/O Features

PCAL9714

Last Updated: Sep 21, 2023

The PCAL9714 is an ultra-low voltage 14-bit I/O expander and translator with SPI interface and is ideal for a wide range of applications that require expansion of inputs and outputs to their existing micro and reduces design cycle time. Integrated Agile I/O features further enables flexible and configurable designs with push-pull or open-drain outputs, interrupt status registers, four different output drive strengths, enable and resistor selector for pull-up and pull-down resistors, and interrupt mask options.

PCAL9714 Block Diagram



View additional information for [14-Bit SPI I/O Expander with Agile I/O Features](#).

Note: The information on this document is subject to change without notice.

www.nxp.com

NXP and the NXP logo are trademarks of NXP B.V. All other product or service names are the property of their respective owners. The related technology may be protected by any or all of patents, copyrights, designs and trade secrets. All rights reserved. © 2024 NXP B.V.