



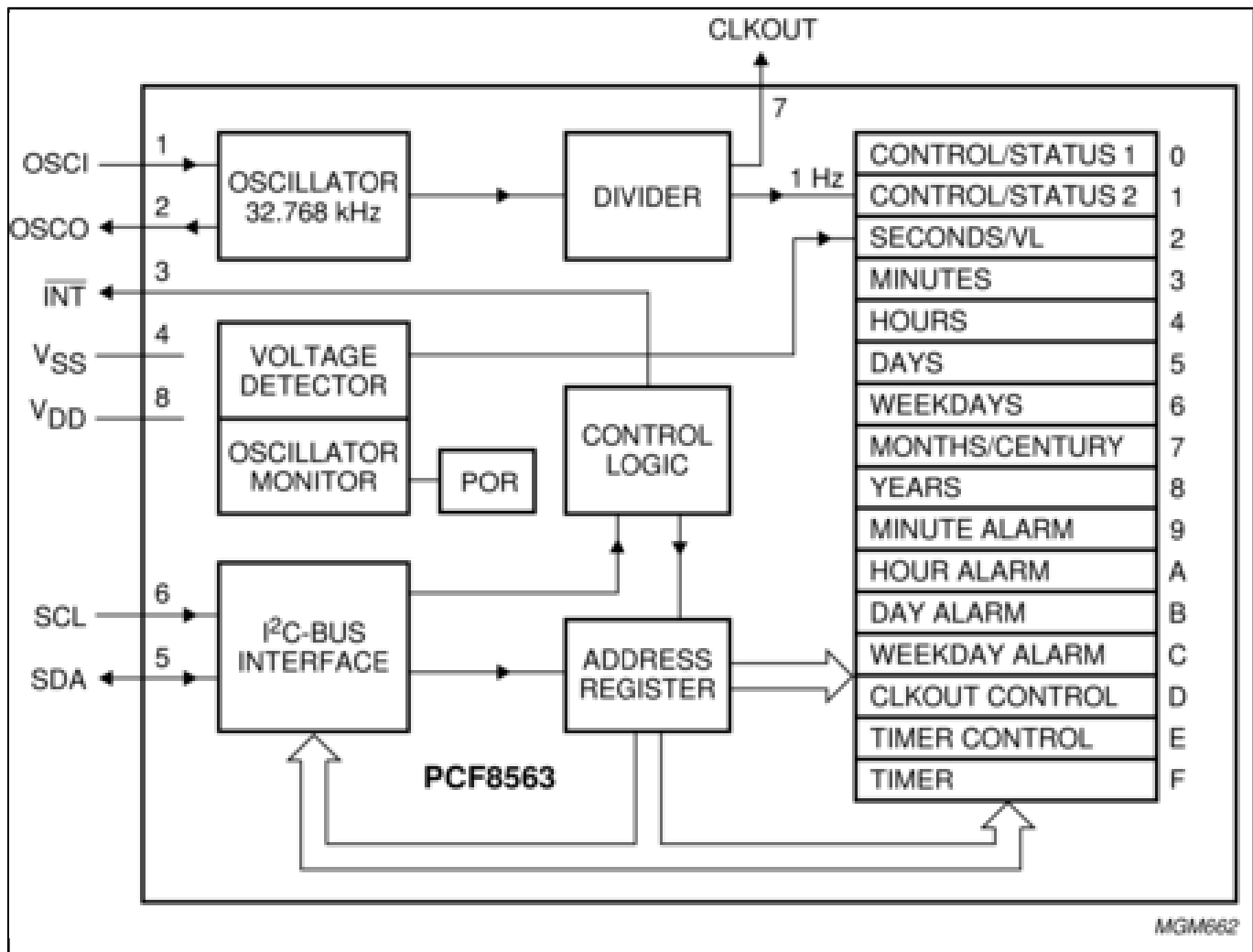
Real-Time Clock/Calendar

PCF8563

Last Updated: Apr 11, 2024

The PCF8563 is a CMOS Real-Time Clock (RTC) and calendar optimized for low power consumption. A programmable clock output, interrupt output, and voltage-low detector are also provided. All addresses and data are transferred serially via a two-line bidirectional I²C-bus. Maximum bus speed is 400 kbit/s. The register address is incremented automatically after each written or read data byte.

PCF8563BS, PCF8563P, PCF8563T, PCF8563TS, PCF8564ACX9, PCF8564AU Block Diagram



View additional information for [Real-Time Clock/Calendar](#).

Note: The information on this document is subject to change without notice.

www.nxp.com

NXP and the NXP logo are trademarks of NXP B.V. All other product or service names are the property of their respective owners. The related technology may be protected by any or all of patents, copyrights, designs and trade secrets. All rights reserved. © 2024 NXP B.V.