

1 Introduction

This application note describes the usage of the DC-DC Switching Mode Power Supply (SMPS) converter for the MKW4xZ/3xZ/3xA/2xZ families. This document covers operating voltages, types of circuit operation, hardware design guidelines, software configuration, and power capabilities.

2 MKW DC-DC converter

This application note is based on the MKW41Z technical data. For other part numbers, see the part-specific documentation as operating conditions, features, specifications, and requirements may vary. For example, some parts do not support boost mode (MKW36, MKW35, MKW37, MKW38).

The DC-DC converter for MKW41Z is a dual output converter that supports three operating modes; Bypass, Buck, and Boost. In Bypass mode, the DC-DC converter is disabled and the supply pins of the microcontroller must be supplied externally. In Buck mode, the DC-DC converter is enabled and requires a DC supply in the range of 1.8 V to 4.2 V (during startup, the minimum supply required is 2.1 V). In Boost mode, the DC-DC converter requires a DC supply in the range of 0.9 V to 1.795 V (during startup, the minimum supply required is 1.1 V).

Startup and operating modes are configured with hardware selection through the DCDC_CFG and PSWITCH pins.

When the DC-DC converter is powered on, two outputs assume default voltage settings. By software, it is possible to change the output voltages within the ranges shown in the table below, provided that, in Buck mode, for all input ranges the outputs are lower than input voltage by 50 mV, or higher than input voltage by 50 mV when operating in Boost mode.

WARNING

VDD_1P8 must always be greater or equal to VDD_1P5. Otherwise, the internal protection diodes are forward biased, and may cause electrical overstress, damaging the part.

Mode	VDD1P8		VDD1P5	
	Default Value	Range	Default Value	Range
Buck	1.8 V	$1.71 \text{ V} \leq \text{VDD_1P8} \leq 3.50 \text{ V}$	1.5 V	$1.425 \text{ V} \leq \text{VDD_1P5} \leq 1.65 \text{ V}$
Boost	1.8 V	$1.71 \text{ V} \leq \text{VDD_1P8} \leq 3.50 \text{ V}$	1.8 V	$1.425 \text{ V} \leq \text{VDD_1P5} \leq 2.0 \text{ V}$

The DC-DC operates in two different modes; Continuous and Pulsed mode. When operating in continuous mode, the internal digital controls are constantly on and the operating frequency is 1/16th of the DC-DC reference frequency. In most applications, the RF oscillator (or main oscillator) is used as the DC-DC reference frequency and this is a 32 MHz clock. This results in a 2 MHz operating frequency. Some applications may use a 26 MHz crystal. This would result in a 1.625 MHz operating frequency. The DC-DC also has an internal RC oscillator that can be used as a reference when the RF oscillator is not being used. The frequency of this oscillator is 26 MHz.

Contents

1	Introduction.....	1
2	MKW DC-DC converter.....	1
3	DC-DC Power modes.....	2
4	DC-DC converter software setup....	6
5	Hardware design Guidelines.....	16
6	Current estimation and efficiency report.....	21
7	Revision history.....	27



In Pulsed mode, the DC-DC PWM is turned on until the output capacitor is charged to the configured high trigger limit. Then the DC-DC PWM is temporarily turned off until the output voltage drops to the lower trigger limit, whereby a PWM burst then charges the output capacitor again. In general, pulsed mode is entered when the SoC enters a low-power mode, and is in continuous mode when the SoC is in a RUN mode. Software can configure which DC-DC mode (Continuous or Pulsed) is selected when entering some low-power modes. Pulsed mode improves energy efficiency in low-power modes where the current does not exceed 0.5 mA.

VDD_1P8 should supply VDD1, VDD2, and VDDA through external PCB traces and, within the current capability, may also power other circuits of the system. The VDD_1P5 is designed to supply just the Radio Frequency circuit. This power supply should be externally connected to only the VDD_RF pins.

The DC-DC SMPS uses the voltage VDD_0/1 as feedback for the loop control of the VDD_1P8 output, so application hardware designer must ensure the correct return signal without series resistance from VDD_1P8 to VDD_0/1.

It is not possible to configure the DC-DC for buck or boost modes while sourcing VDD_0/1 from an external source.

3 DC-DC Power modes

3.1 Bypass mode

In Bypass mode, the DC-DC converter is disabled. Both the VDD_1P8 and VDD_1P5 are inputs. MKW devices require individual DC supply for the VDDx, VDDA, VDD_1P8, VDD_1P5, and VDD_RFx domains to be functional.

Below is the minimum recommended circuit configurations for DC-DC converter in Bypass mode.

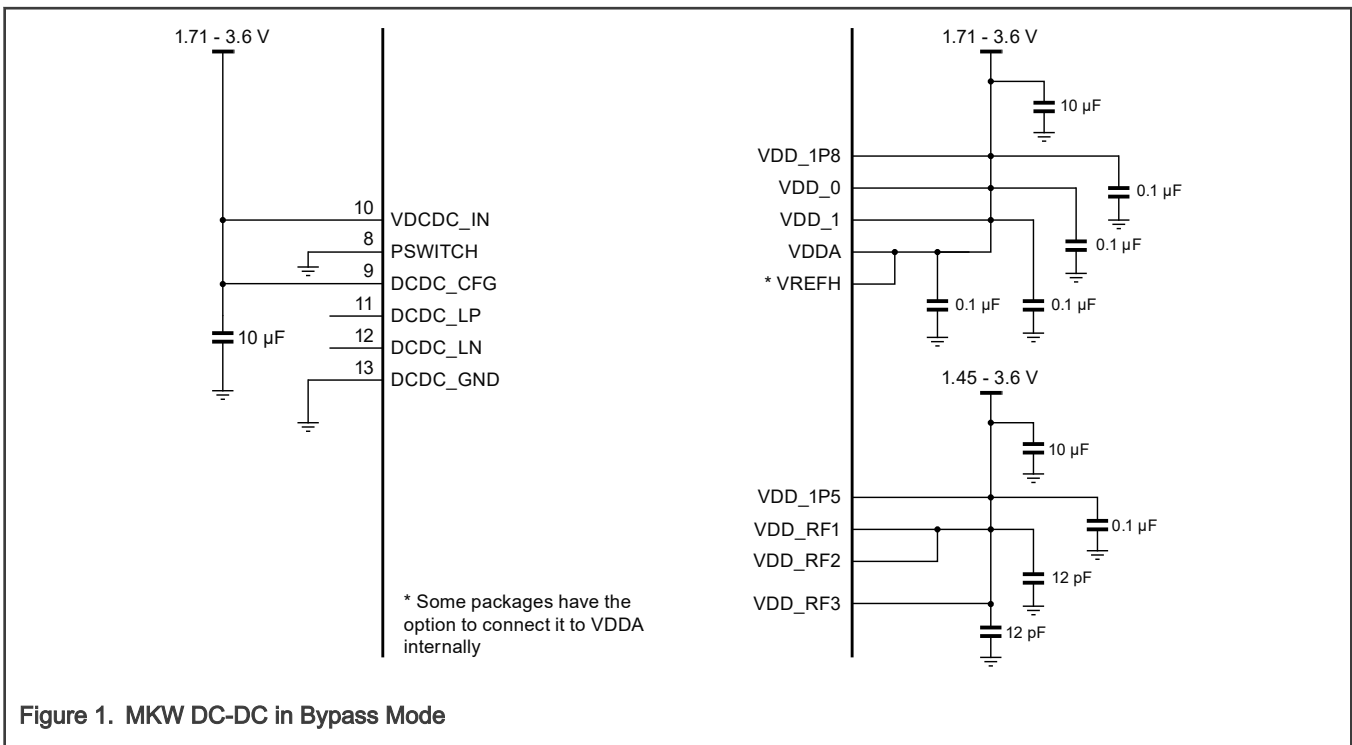


Figure 1. MKW DC-DC in Bypass Mode

3.2 Buck mode

In Buck mode, the input voltage VDCDC_IN is converted to a lower voltage which is output to the VDD_1P8 and VDD_1P5 pins. These pins are initialized to the below default startup values (after POR resets only), and then by software, those values may be changed:

VDD_1P8 = 1.8 V and VDD_1P5 = 1.5 V

In Buck mode, at steady state, the DC-DC converter accepts input voltages ranging from 1.8 V to 3.6 V (4.2 V for certain use cases on KWx1Z; refer to the device-specific data sheet for conditions and limits). To guarantee the startup, it is necessary to have a minimum input voltage of 2.1 V. The typical conversion efficiency is 90%.

There are two ways to start the DC-DC in Buck mode: Manual and Auto-Startup. The main difference is that on Auto-Startup, when the VDCDC_IN voltage is applied, the DC-DC immediately starts the PWM, generating voltages on VDD_1P8 and VDD_1P5 outputs. In manual mode, the DC-DC is triggered to start after a pulse/level high on the PSWITCH.

It is possible to shut down the DC-DC after it has started, only in Buck Manual mode. The application must ensure that the PSWITCH is not at a logic high level when the DC-DC is shut down. Otherwise, the DC-DC enters an abnormal state.

The tank capacitors connected to VDD_1P8 and VDD_1P5 must be in the range of 10 μ F to 30 μ F. Capacitor values outside this range can have negative effects on the control loop response of the DC-DC converter. Larger capacitor value can save power consumption in low-power mode due to a longer interval between refresh. However, if the capacitance is too great (greater than 30 μ F) the DC-DC converter may not regulate properly. The lower ESR (Equivalent Series Resistance), the better for efficiency.

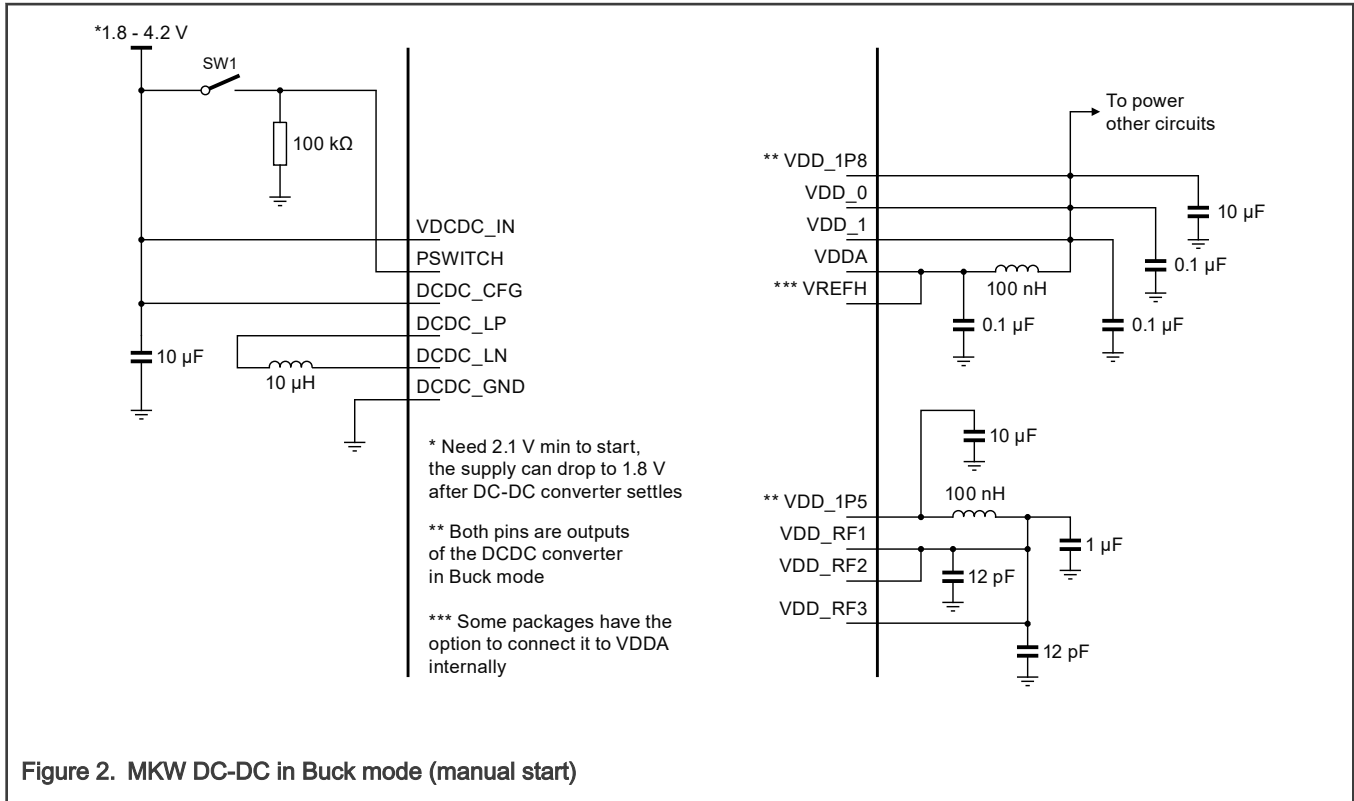
3.2.1 Buck Mode – Manual Startup

In this mode, the DC-DC is not automatically started upon the presence of voltage on VDCDC_IN. Instead, the DC-DC is started after a pulse or level high on the PSWITCH pin; This pulse may come from a push button, switch, or externally generated by another device. In either case, PSWITCH must be above the required startup level for longer than the DC-DC turn on time for the DC-DC to start up correctly (refer to the device-specific data sheet for the PSWITCH VIH level and DC-DC turn on time). If an external device is used, the application must guarantee the correct power-up sequence and voltage levels. This means:

- PSWITCH cannot be at a higher voltage than VDCDC_IN. Otherwise, the internal protection diode is forward biased, damaging the device.
- The controlling circuit must keep PSWITCH at V_{IH} voltage level with respect to VDCDC_IN. V_{IH} voltage is defined in this case as $0.7 \times VDCDC_IN$ for $2.7\text{ V} \leq VDCDC_IN$ or $0.75 \times VDCDC_IN$ for $1.7\text{ V} \leq VDD \leq 2.7\text{ V}$, unless otherwise specified by the Voltage and current operating requirements table of the device-specific data sheet.

To shut down the DC-DC in this mode, the PSWITCH pin must be at a low logic level, and it is necessary to set the DCDC_SW_SHUTDOWN bit at the same time as writing the unlock key 0x3E77 to the Unlock bits on register DCDC_REG4.

Below are the recommended hardware configurations for DC-DC converter in Buck Manual Start mode.

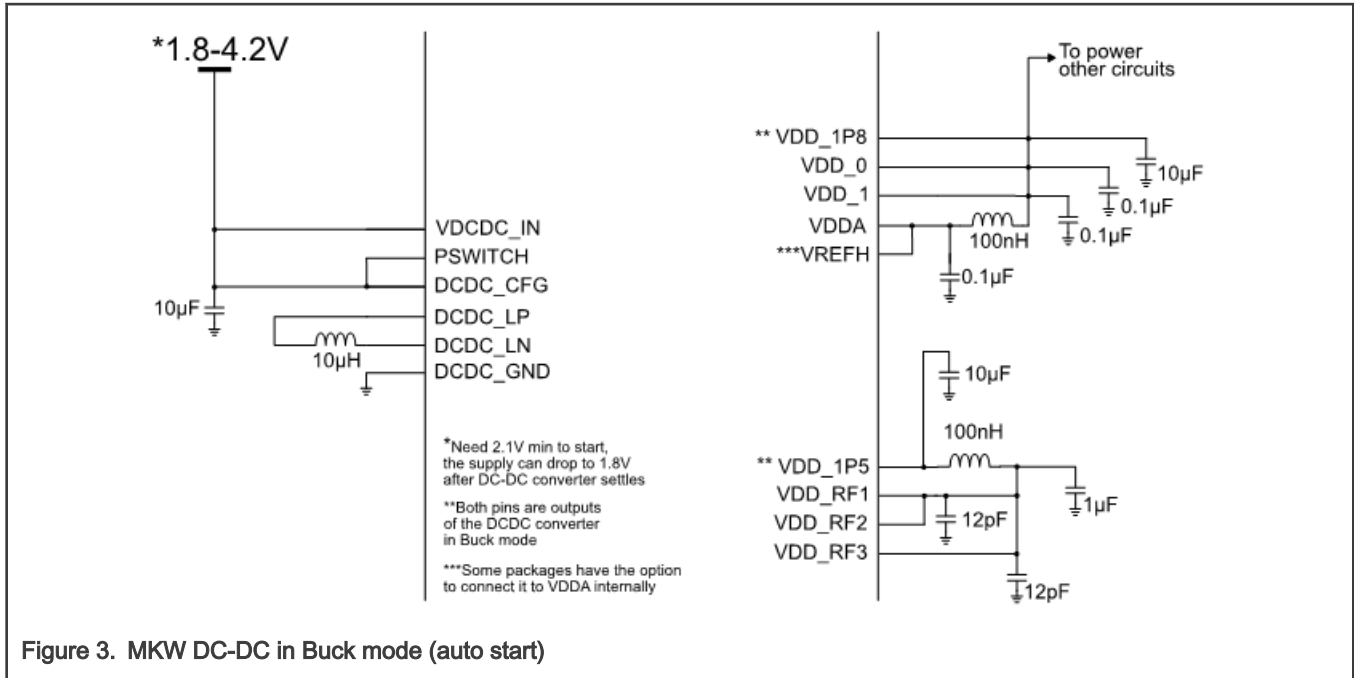


3.2.2 Buck Mode – Auto start

This mode allows the DC-DC to automatically turn on immediately after power is applied to the device. Typical startup time is 2.3 ms and varies with the loading of the converter.

As the PSWITCH is always tied to VDCDC_IN, there is no possibility to turn off the DC-DC SMPS after it starts. If software attempts to shut down the module, the device enters in an abnormal state, requiring a power cycle to recover the unit.

Below is the recommended circuit for DC-DC converter in Buck Auto Start mode:



WARNING

This configuration is not recommended for Lithium-ion battery designs as over-discharging this type of battery may lead to permanent damage, reducing its lifetime or causing degradation effects on performance.

3.3 Boost Mode

In Boost mode, the DC-DC converter accepts input voltage in the range of 0.9 V to 1.795 V. To guarantee startup, the DC-DC requires a minimum of 1.1 V. The typical conversion efficiency is 90%.

In this mode, the DC-DC converter increases the input voltage, VDCDC_IN, to the below default startup values, and then by software, those values may be changed:

VDD_1P8 = 1.8 V and VDD_1P5 = 1.8 V

Below is the recommended circuit for the DC-DC converter in Boost mode.

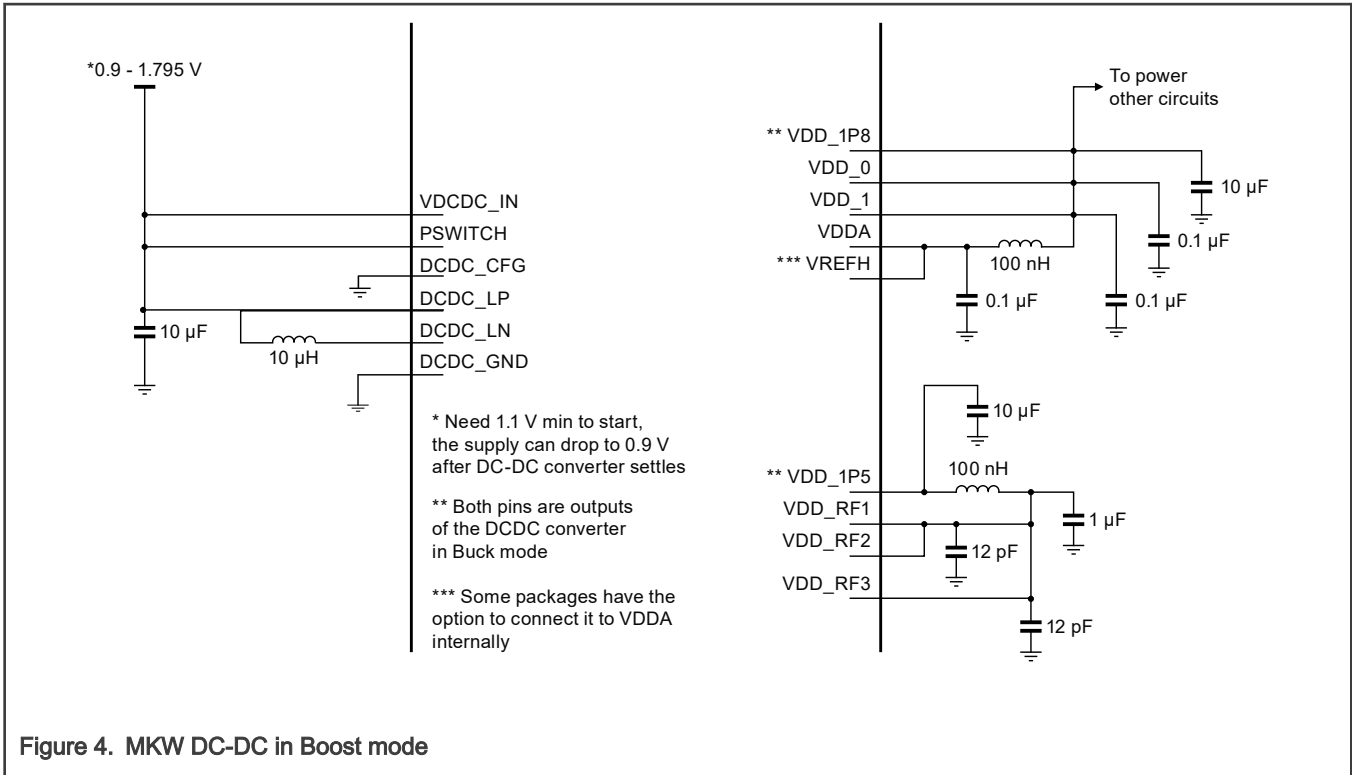


Figure 4. MKW DC-DC in Boost mode

3.4 Buck-Boost mode

The MKW DC-DC converter does not support Buck-Boost switching. Based on the battery voltage range for the system, the application should be designed for either Buck or Boost configuration. It is not possible to switch modes on the fly. For example, a hypothetical configuration circuit switching from buck to boost mode is not allowed. The DC-DC mode must change after the power is turned off and the pin configuration correctly set.

4 DC-DC converter software setup

The DC-DC operates in two different modes; Continuous Mode and Pulsed Mode. In Continuous Mode, the control loop keeps the PWM ON, constantly adjusting the pulse width to maintain the two output voltages.

The Pulsed Mode option periodically generates a PWM burst, recharging the bulk capacitors. When the voltage falls below the configured threshold, the DC-DC module starts the PWM, and after voltage reaches the maximum threshold value, it turns off, starting a new cycle. Pulsed mode is automatically entered whenever the MCU enters VLPR, VLPW, VLPS, LLS, or VLLSx modes. Note that it is possible to, by software, select either Continuous or Pulsed Mode when entering VLPR, VLPW, or VLPS modes.

Below oscilloscope plots show the difference between Continuous and Pulsed modes.

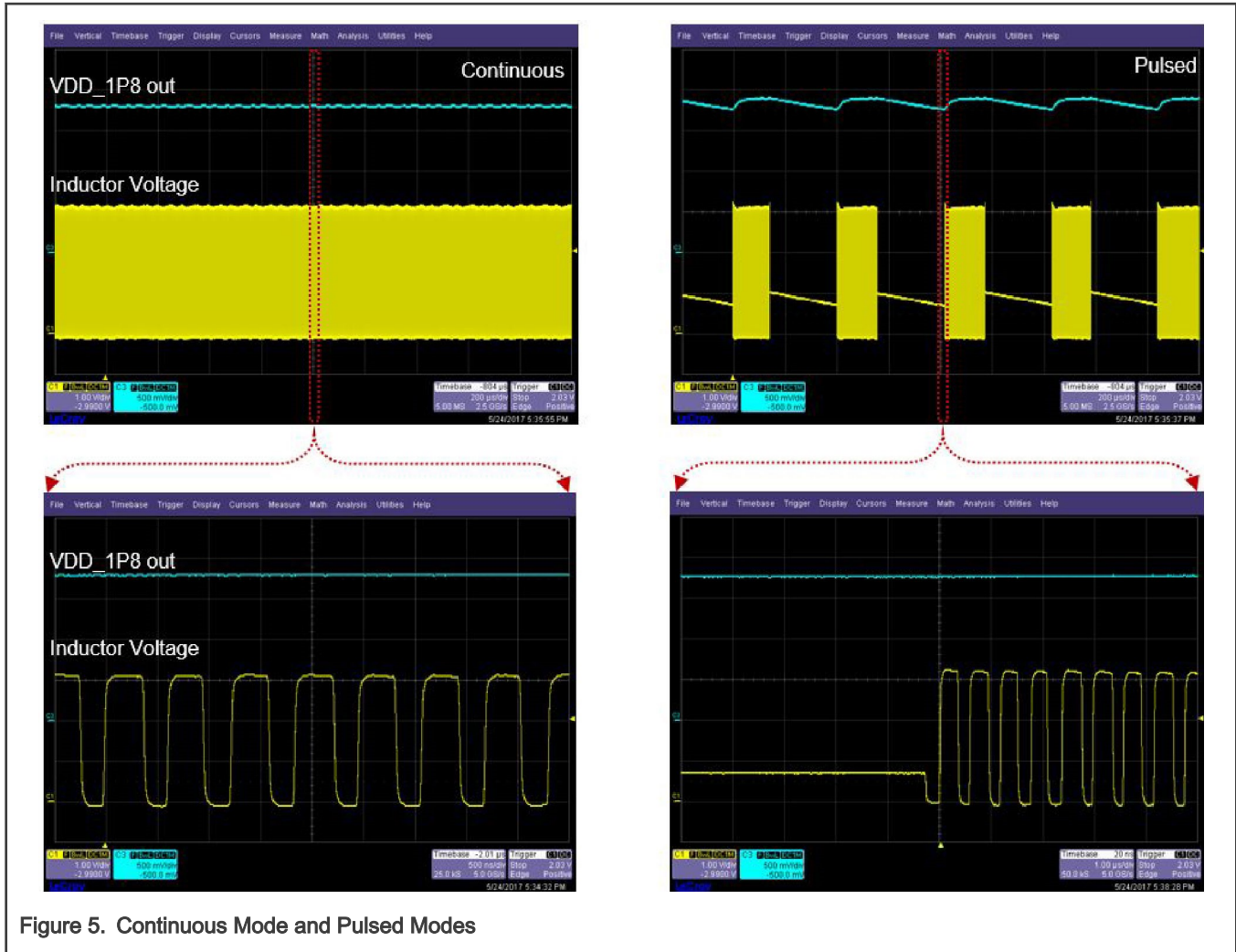


Figure 5. Continuous Mode and Pulsed Modes

The two images on the left side show the continuous mode, the bottom images are the zoom of the upper ones. The images on the right are screen captures of pulsed mode. Note that the VDD_1P8 presents a higher ripple due to DC-DC being turned off for some time until minimum voltage threshold is reached. The ripple can be configured from -75 mV to +75 mV (in 25 mV increments) via register bit fields DCDC_LP_STATE_HYS_L and DCDC_LP_STATE_HYS_H.

Note that these register bits should not be set to 0 mV offset at the same time as this will create a situation where the DC-DC controller is active more than necessary and consumes more current than desired.

4.1 Application Initialization Requirements

To ensure optimum DC-DC operation, it is highly recommended to configure the Loop Control bits as below during the DC-DC startup routine. These bits properly configure the internal hardware hysteresis parameters and improve transient supply ripple and efficiency.

DCDC_REG1[DCDC_LOOPCTRL_DF_HST_THRESH] = 0 (This is already the reset value)

DCDC_REG1[DCDC_LOOPCTRL_CM_HST_THRESH] = 0 (This is already the reset value)

```
DCDC_REG1[DCDC_LOOPCTRL_EN_DF_HYST] = 1
DCDC_REG1[DCDC_LOOPCTRL_EN_CM_HYST] = 1
DCDC_REG2[DCDC_LOOPCTRL_HYST_SIGN] = 1
```

If Pulsed mode is used, the below bit must also be configured as follows:

DCDC_REG0[DCDC_LP_DF_CMP_ENABLE] = 1

If the DC-DC mode is Boost mode, it is necessary to set POSLIMIT_BOOST_IN to 0x12 after startup. During startup, this register is set to a small value to limit voltage spikes and the software application must configure this bit field to the recommended value to allow higher currents, especially when battery voltage is low.

DCDC_REG1[POSLIMIT_BOOST_IN] = 0x12

The DC-DC recommended software initialization and periodically voltage monitoring flowchart is given below:

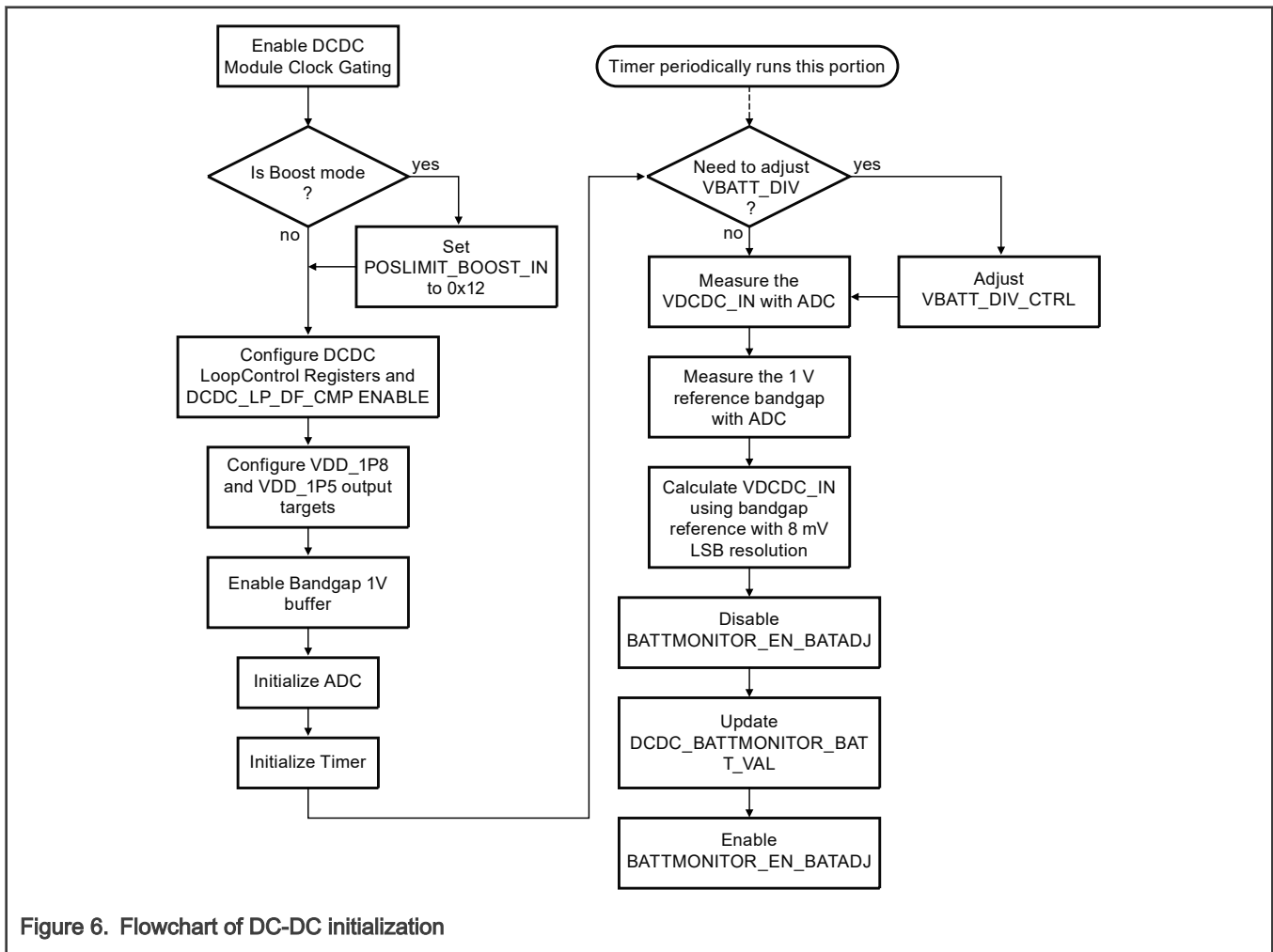


Figure 6. Flowchart of DC-DC initialization

The period for the Timer to trigger the measurement of the VDCDC_IN is user controlled and depends on the applications VDCDC_IN voltage dynamics. Every time the application expects a voltage change, it is recommended to execute the DCDC_BATTMONITOR_BATT_VAL calibration routine.

It is expected that software monitors the VDCDC_IN periodically, using the SAR ADC, and adjust the DC-DC settings as required to optimize the performance. Not adjusting the DCDC_BATTMONITOR_BATT_VAL when the VDCDC_IN voltage level has changed could lead to erratic behavior. The DC-DC does not have a bypass circuit. So when configured for buck or boost, the controller attempts to regulate the voltage no matter what the level of VDCDC_IN.

There are multiple ways to initialize the DC-DC: the DC-DC SDK (Software Development Kit) drivers (fsl_dcdc.c and fsl_dcdc.h), direct register accesses, or the connectivity framework drivers. The DC-DC connectivity framework is contained within the DCDC.c and DCDC.h files. Consider the below code segment from the MCUXpresso DC-DC connectivity Framework as an example to initialize the DC-DC, Timer, and the ADC to set VDD1P8 to 1.8 V and

VDD1P5 to 1.5 V in Buck mode. This connectivity framework code can be found on the KW41 SDK examples folder (SDK_2.2_MKW41Z512xxx4\boards\frdmkw41z\wireless_examples\smac\connectivity_test\bm\iar).

```
/* Default DCDC Mode used by the application */
#define APP_DCDC_MODE                gDCDC_Mode_Buck_c
#define APP_DCDC_VBAT_MONITOR_INTERVAL    (50000)
/**Configure the DCDC parameters though this const variable**/
const dcDcConfig_t mDCDCBuckDefaultConfig =
{
    .vbatMin = 1800,
    .vbatMax = 4200,
    .dcDcMode = APP_DCDC_MODE,
    .vBatMonitorIntervalMs = APP_DCDC_VBAT_MONITOR_INTERVAL,
    .pfDCDCAppCallback = NULL, /* .pfDCDCAppCallback = DCDCallback, */
    .dcDcMcuVOutputTargetVal = gDCDC_McuV_OutputTargetVal_1_500_c,
    .dcDc1P8OutputTargetVal = gDCDC_1P8OutputTargetVal_1_800_c
};
```

At the hardware initialization, call DCDC_Init function from the DCDC.c connectivity framework and the initialization, including the ADC and timer setup, is executed.

```
//Init DCDC with VDD1P8 @ 1.8V
DCDC_Init(&mDCDCBuckDefaultConfig); // call to DCDC SDK Framework
```

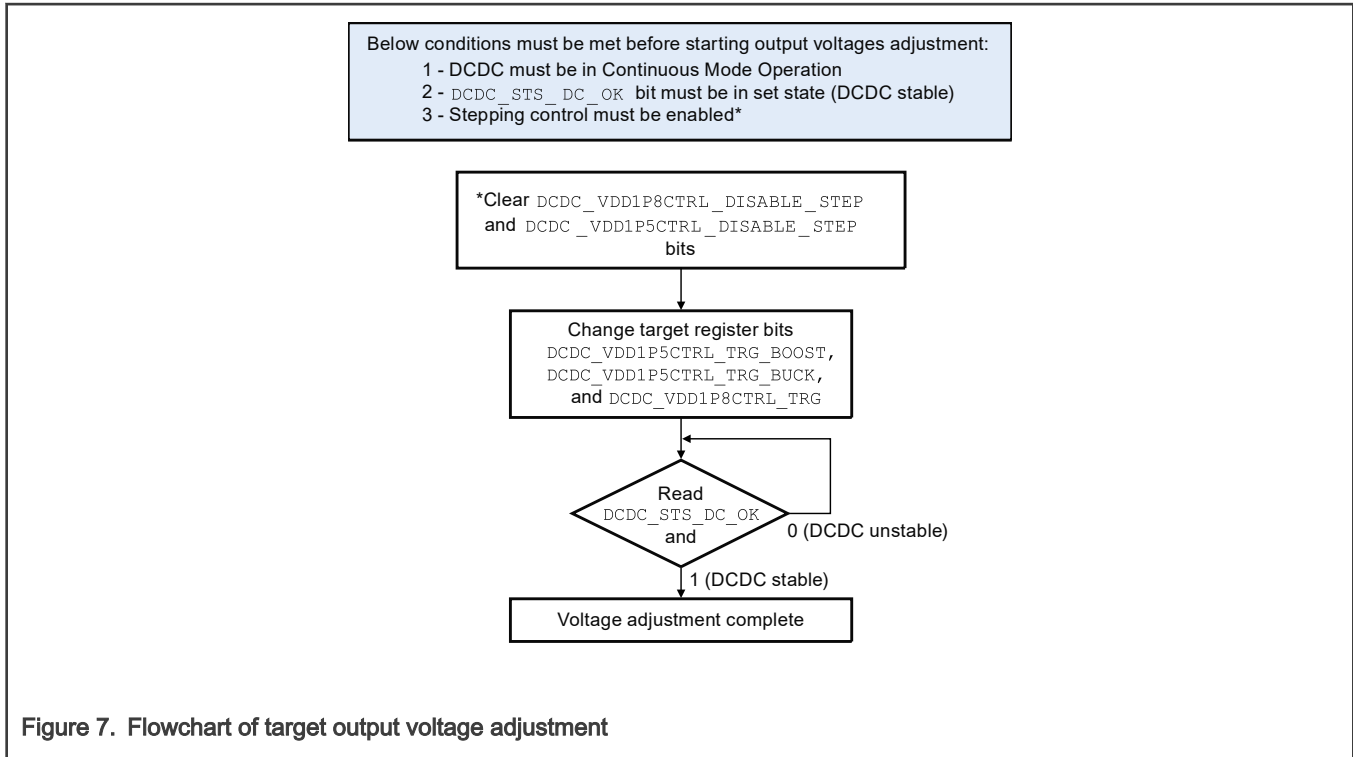
4.2 Configuring Continuous mode

The DC-DC converter operates only in Continuous Mode when the MCU is in RUN, WAIT, and STOP modes. The DC-DC converter may operate in Continuous mode or Pulsed mode through register selection when MCU is in VLPR, VLPW, and VLPS modes. Continuous mode is not available for LLSx and VLLSx modes.

Depending on the use case and the low-power mode usage, it may be more efficient to select continuous mode rather than pulsed mode. For current up to 0.5 mA, the recommendation is to measure the loading dynamics of the application to verify which mode has better performance. Above 0.5 mA, the DC-DC must be configured for Continuous mode.

4.2.1 Target voltage adjustment

In Buck and Boost modes, the DC-DC converter output voltages are programmable. To adjust the target voltages of VDD_1P8 and VDD_1P5 in Continuous Mode, follow the below steps:



*When the step bits are cleared, stepping control is enabled. It is mandatory to be in this state before adjusting the target output voltage to avoid overshoot/undershoot, as this mode forces the DC-DC control loop to increase or decrease the voltage in steps of 25mV until it reaches the target voltage.

4.3 Pulsed mode

The DC-DC converter can also operate in Pulsed mode when MCU is in VLPR, VLPW, and VLPS, which is software selectable. The total current loading from VDD_1P8 must be less than 0.5 mA to select this mode.

Pulsed mode has better efficiency when loading is less than 0.5 mA. As mentioned before, larger tank capacitors on VDD_1P8 and VDD_1P5 lead to better efficiency in pulsed mode as the refresh time increases.

Pulsed mode is automatically set for the low-power modes; LLS3, LLS2, VLLS3, VLLS2, and VLLS1. The DC-DC converter is not operational in VLLS0. Only Bypass mode is supported in VLLS0.

To ensure optimum DC-DC operation, it is mandatory to enable the low-power differential comparators, instead of common mode sense. It reduces the ripple in pulsed mode, which means below bit must be set before entering in pulsed mode.

```
DCDC_REG0 [DCDC_LP_DF_CMP_ENABLE] = 1
```

To guarantee correct regulation, before entering the Pulsed Mode, stepping must be disabled. It means that the below bits must also be set:

```
DCDC_REG3 [DCDC_VDD1P8CTRL_DISABLE_STEP] = 1
DCDC_REG3 [DCDC_VDD1P5CTRL_DISABLE_STEP] = 1
```

4.3.1 Procedure to enter Pulsed mode

To enter Pulsed mode, follow the below steps:

- Perform these configurations during startup:

DCDC_REG0[VLPR_VLPW_CONFIG_DCDC_HP] = 0 (To enable pulsed mode on VLPR and VLPW)

DCDC_REG0[VLPS_CONFIG_DCDC_HP] = 0 (To enable pulsed mode on VLPS)

DCDC_REG0[DCDC_LP_DF_CMP_ENABLE] = 1 (Needed configuration to reduce ripple and to avoid voltage falling below minimum limit)

Application software:

- Stepping must be disabled before entering Pulsed Mode:

```
DCDC_REG3[DCDC_VDD1P8CTRL_DISABLE_STEP] = 1 and DCDC_REG3[DCDC_VDD1P5CTRL_DISABLE_STEP] = 1
```

- Call user application low-power mode routine

There is no need to re-enable stepping after leaving Pulsed Mode. If there is a need to change the output voltages; VDD_1P8 and VDD_1P5, the stepping must be re-enabled.

Consider the below code segment using SDK 2.x, instead of the Connectivity Framework, as an example to set Pulsed Mode when entering low-power mode.

```
/** DCDC Low power configuration structure */
dcdc_low_power_config_t dcdc_Low_Power_Config =
{
    .workModeInVLPRW = kDCDC_WorkInPulsedMode,
    .workModeInVLPS = kDCDC_WorkInPulsedMode,
    .enableHysteresisVoltageSense = true,
    .enableAdjustHystereticValueSense = false,
    .enableHysteresisComparator = true,
    .enableAdjustHystereticValueComparator = false,
    .hystereticUpperThresholdValue = kDCDC_HystereticThresholdOffset75mV,
    .hystereticLowerThresholdValue = kDCDC_HystereticThresholdOffset0mV,
    .enableDiffComparators = true,
};
/** Code */
/** DCDC Low Power Configuration */
DCDC_SetLowPowerConfig(DCDC, &dcdc_Low_Power_Config);
/**Disable Stepping prior to call low power API */
DCDC_LockTargetVoltage(DCDC); //disable stepping prior to enter low power mode
/** User Call to enter Low Power mode*/
Here goes the low power routine call
```

After exiting low-power mode, there is no need to re-enable stepping. Enabling the stepping mode is required during the application output voltages adjustment.

4.3.2 DC-DC spectral content

Due to DC-DC switching frequencies, as shown in Figure 5, it is expected to have a spectral content of 2 MHz (if using a 32 MHz reference clock) and its harmonics for continuous mode. Also, for low-power modes (Pulsed Mode), as the DC-DC is turned off for some time and when the voltage drops to a lower threshold, a 2 MHz burst is generated (assuming a 32 MHz reference clock). This behavior adds another spectral content for the turn-on and turn-off frequency. That low frequency spectral content depends on the dynamics of the loading, therefore, for each application, it has a different value.

Consider below chart (not to scale) showing the expected spectral content for DC-DC in pulsed mode.



There are two frequency domains in Pulsed Mode; P_F and S_F . The P_F is the Pulsed Frequency and S_F is the Switching Frequency. The P_F varies according to the loading and if we consider, for example, $P_F = 2.5$ kHz, the lower frequency domain has this fundamental frequency and the harmonics 5.0 kHz, 7.5 kHz, 10 kHz, and so on. The S_F is equal to 2 MHz, so on the right side of the above chart, the spectrum content is 2 MHz, 4 MHz, 6 MHz, and so on.

This information must be considered on applications sensitive to a particular frequency domain, such as another radio or transceiver that may suffer interference from the DC-DC. For cases where P_F and its harmonics cause interference, it is possible to shift right or left the P_F by simply using a different DC-DC software configuration, such as changing the hysteresis, FET size, half clock for pulsed mode or adding a larger tank capacitor.

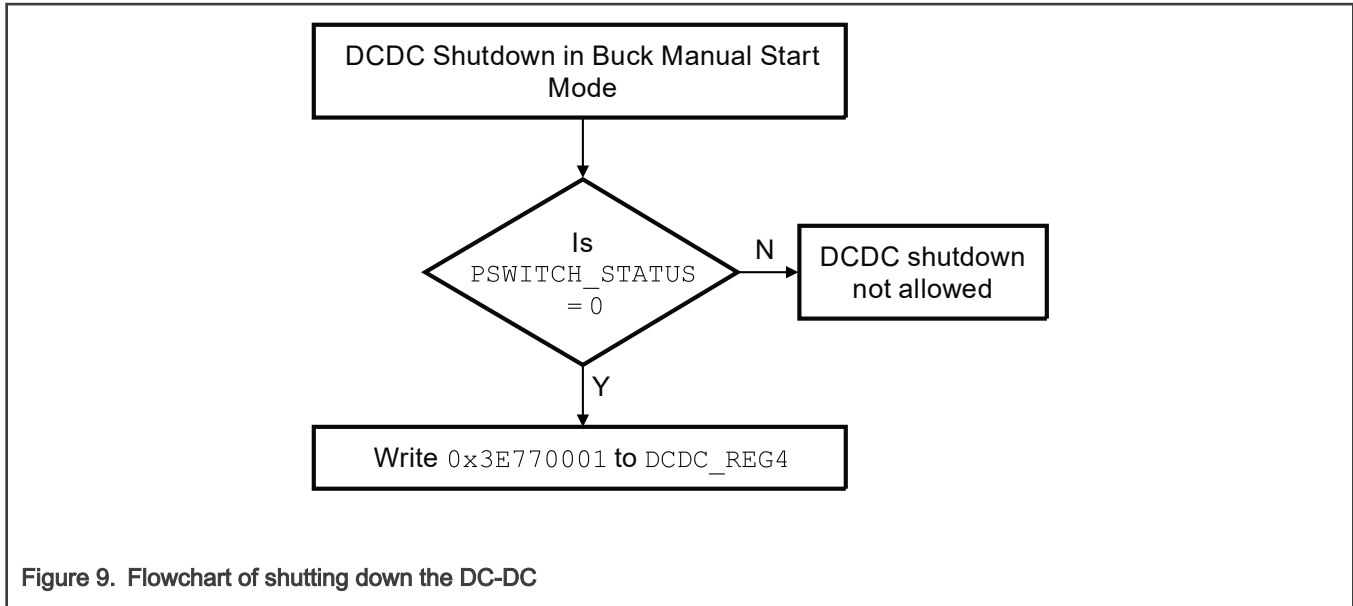
If P_F is interfering on other circuits, there are many combinations for shifting right or left the P_F . Some tests were performed on a test board containing just the microcontroller with device running in VLPR pulsed mode and a minimal number of internal modules enabled. For this example (which uses the default DC-DC register values, the P_F measured 2.4 kHz. By just changing the hysteresis bits, it was possible to move P_F from 1.53 kHz to 3.8 kHz. This is only one example on how to perform a frequency shifting. Many other combinations can be performed to fine-tune the P_F based on system loading.

4.4 Shutting down DC-DC

Shutting down the DC-DC is only allowed when DC-DC is configured as Buck Mode Manual Start. An attempt to shut down in either Boost or Buck Auto Start modes cause the DC-DC module to enter an abnormal state, requiring a power cycle to reset the DC-DC.

On Buck Mode Manual Start, before shutting down the DC-DC, software must verify if PSWITCH is released (0 volts present), and if this condition is true, then DC-DC may be turned off. Otherwise, the DC-DC shutdown should be aborted.

To shut down the DC-DC is necessary to write the Unlock bits at the same time as setting the DCDC_SW_SHUTDOWN bit. The procedure is shown in the below flowchart.



Below is an example code to shut down DC-DC using the SDK 2.2:

```

if((DCDC->REG0 & DCDC_REG0_PSWITCH_STATUS_MASK) == 0)
{
  DCDC_DoSoftShutdown(DCDC);
}
  
```

4.4.1 Software strategies when battery is running out

If the application needs to stop executing the code, for example, if battery is running out during the periodic VDCDC_IN measurement, then the application can shut down the DC-DC, as explained previously. This makes the VDD_1P8 and VDD_1P5 to be in off state. In case the operation mode is not the Buck Manual Start Mode, it is not possible to shut down the DC-DC and software may use an interrupt to decide how to handle a low battery situation.

In other applications, it may be advantageous to force a reset hold condition. To force a reset hold condition, a solution is to use the Low Voltage Detect module that monitors VDD. The code needs to configure VDD_1P8, which supplies to VDD, to have a value below V_{LVDx} , for example if VDD_1P8 is configured to generate 1.8 V, when selecting the threshold V_{LVDH} (2.56 V), the microcontroller will immediately be hold on reset until a power-off and power-on cycle is performed. Note that if VDCDC_IN returns to its normal value, as the VDD_1P8 is still programmed to be below V_{LVDx} , just a complete power cycle releases the device from reset condition.

4.5 System impact in function of registers configuration

This section details some specific bits that have no clear relation to how the system is impacted by selecting or disabling them. These bits may be left on default state with no major impact. For more details, refer to below descriptions. You can also refer to the latest device-specific Reference Manual for the most up-to-date descriptions.

4.5.1 DCDC_REG0

- DCDC_REG0[DCDC_DISABLE_AUTO_CLK_SWITCH]

In case the external clock is selected as the DC-DC clock source, and if the oscillator is lost, this feature automatically switches to internal DC-DC oscillator to avoid DC-DC abnormal behavior.

- DCDC_REG0[DCDC_SEL_CLK]

This bit selects the external 32 MHz clock or the internal oscillator to drive DC-DC. Selecting the crystal oscillator leads to a better and consistent DC-DC performance. This bit does not apply when DCDC_REG0[DCDC_DISABLE_AUTO_CLK_SWITCH] is 0.

- DCDC_REG0[DCDC_PWD_OSC_INT]

This bit enables or disables the DC-DC internal oscillator. Only set this bit (internal oscillator is powered down) when a 32 MHz crystal oscillator is present. The application must ensure that the external oscillator is always present if decide to turn off the DC-DC internal oscillator. This internal oscillator is the backup source in case of problems with the external clock.

- DCDC_REG0[DCDC_LP_DF_CMP_ENABLE]

This bit selects either a differential or a common mode comparator to measure the output voltages on pulsed mode. To guarantee better performance, it is recommended to select the differential comparator.

- DCDC_REG0[DCDC_LP_STATE_HYS_L] and DCDC_REG0[DCDC_LP_STATE_HYS_H]

These two bits select the hysteresis upper and lower limits for pulsed mode, varying from -75 mV to +75 mV of the VDD_1P8 target value. Selecting a tighter value makes the DC-DC to wake up in a higher frequency, that is, a higher refresh rate when comparing to a wider value. Decreasing the refresh rate improves DC-DC performance, but increases the ripple.

- DCDC_REG0[HYST_LP_COMP_ADJ], DCDC_REG0[HYST_LP_CMP_DISABLE], DCDC_REG0[OFFSET_RSNS_LP_ADJ], and DCDC_REG0[OFFSET_RSNS_LP_DISABLE] are factory debug bits that must be left on reset state value.
- DCDC_REG0[PWD_CMP_OFFSET]

This bit enables the comparator to provide a faster loop response on the DC-DC control module. It is recommended to be powered on (logic 0) only if a high dynamic load is present, otherwise may be left disabled. When powered on, it reduces overshoot/undershoot for high dynamic loading. The response time increment gets configure on DCDC_REG2[DCDC_LOOPCTRL_EN_RCSCALE].

The tradeoff is that it increases the power consumption a little. The ripple is higher when there is no high dynamic loading.

4.5.2 DCDC_REG1

- DCDC_REG1[POSLIMIT_BUCK_IN]

This bit limits the duty cycle of DC-DC converter and it is recommended to leave it with the default reset values.

- DCDC_REG1[POSLIMIT_BOOST_IN]

This bit is used to limit the duty cycle in boost mode, limiting voltage spikes during startup. After DC-DC settles, this bit must be configured with value 0x12 to allow higher currents for the load. It is recommended not to write values other than 0X12 to this register.

- DCDC_REG1[DCDC_LOOPCTRL_CM_HST_THRESH]

This bit must be maintained in its reset default state, logic 0.

- DCDC_REG1[DCDC_LOOPCTRL_DF_HST_THRESH]

This bit must be maintained in its reset default state, logic 0.

- DCDC_REG1[DCDC_LOOPCTRL_EN_CM_HYST]

Value of this bit is set to logic 1 after DC-DC startup to guarantee proper operation.

- DCDC_REG1[DCDC_LOOPCTRL_EN_DF_HYST]

Value of this bit is set to logic 1 after DC-DC startup to guarantee proper operation.

4.5.3 DCDC_REG2

- DCDC_REG2[DCDC_LOOPCTRL_EN_RCSCALE]

This bit works in conjunction with DCDC_REG0[PWD_CMP_OFFSET] and determines the response time increment for the loop control when high dynamic load is present.

- DCDC_REG2[DCDC_LOOPCTRL_HYST_SIGN]

Value of this bit is set to logic 1 after DC-DC startup to guarantee proper operation.

- DCDC_REG2[DCDC_BATTMONITOR_EN_BATADJ]

This Bit enables the DC-DC to perform the loop control calculation based on the VDCDC_IN value contained on DCDC_BATTMONITOR_BATT_VAL field. To guarantee the output voltages regulation, it is recommended to use the method of periodically measuring the VDCDC_IN, using the ADC, and to update the DCDC_BATTMONITOR_BATT_VAL.

The bit DCDC_BATTMONITOR_EN_BATADJ must be cleared before updating the DCDC_BATTMONITOR_BATT_VAL and must be set to 1 after correct writing to DCDC_BATTMONITOR_BATT_VAL. This procedure is important to allow the DC-DC control loop machine to calculate the output voltages.

- DCDC_REG2[DCDC_BATTMONITOR_BATT_VAL]

This field is responsible for providing the accurate input VDCDC_IN voltage value to the DC-DC control machine to perform the proper loop calculation. It is very important to update this value at a refresh rate needed by the application. For example, if it is expected the battery to decay slowly, this field may be updated a couple of times per hour our days. If it is expected a stable input voltage, the application may program this value once after startup. If this field is not correctly updated, it is expected a wrong VDD_1P8 and VDD_1P5 output voltage values.

The accepted format value for this bit field is 8 mV LSB, that means each binary step represents 8 mV. For example, if the VDCDC_IN ADC measured voltage is 3.0 V (3000 mV), the value to update this field is $3000/8 = 375$ in decimal or 0x177 in hexadecimal.

4.5.4 DCDC_REG3

- DCDC_REG3[DCDC_VDD1P5CTRL_ADJTN]

This bit field is only used for manual control loop, where DCDC_REG2[DCDC_BATTMONITOR_EN_BATADJ] is cleared, disabling the battery monitor feature and turning off the automatic calculation for the loop control. It is recommended not to use this method and always leave this field in its reset default state.

- DCDC_REG3[DCDC_MINPWR_DOUBLE_FETS_PULSED]

This bit adds a double size FET on the DC-DC output, replacing the normal size FET on low-power modes (pulsed). This double FET has a smaller RDS (resistance from drain to source), but pre-driver consumes a slightly higher current. As the current consumption depends on the application dynamic loading, the recommendation is to try out if this feature reduces current. Otherwise, application may leave it on reset default state.

- DCDC_REG3[DCDC_MINPWR_HALF_FETS_PULSED]

This bit adds a half size FET on the DC-DC output, replacing the normal size FET on low-power modes (pulsed). This half FET has a slightly higher RDS (resistance from drain to source), but pre-driver consumes less current. As the current consumption depends on the application dynamic loading, the recommendation is to try out if this feature reduces current. Otherwise, application may leave it on reset default state.

- DCDC_REG3[DCDC_MINPWR_DOUBLE_FETS]

This bit is similar as previous bit explained, the only difference is that it configures the double FETs for continuous mode.

- DCDC_REG3[DCDC_MINPWR_HALF_FETS]

This bit is similar as previous bit explained, the only difference is that it configures the half FETs for continuous mode.

- DCDC_REG3[DCDC_VDD1P5CTRL_DISABLE_STEP]

This bit enables or disables the stepping mode during VDD_1P5 voltage adjustment. Before changing the VDD_1P5 output voltage level, it is recommended to enable the stepping, that is, to configure this bit to logic 0. It makes the DC-DC module to increase or decrease the voltage in steps of 25 mV, eliminating unwanted overshoot or undershoot.

Before entering to low-power mode (pulsed), this bit must be set to disable the stepping control.

- DCDC_REG3[DCDC_VDD1P8CTRL_DISABLE_STEP]

This bit enables or disables the stepping mode during VDD_1P8 voltage adjustment. Before changing the VDD_1P8 output voltage level it is recommended to enable the stepping, that is, to configure this bit to logic 0. It makes the DC-DC module to increase or decrease the voltage in steps of 25 mV, eliminating unwanted overshoot or undershoot.

Before entering low-power mode (pulsed), this bit must be set to disable the stepping control.

4.5.5 DCDC_REG7

This register is used to bypass the DCDC_BATTMONITOR_BATT_VAL configuration and manually configure the Integrator Value for the loop control. It is recommended to use the BattMonitor control loop method, leaving this register in its default state.

- DCDC_REG7[PULSE_RUN_SPEEDUP]

This bit speeds up the refresh rate in low-power mode. To use this feature, set the integrator value manually based on battery voltage and output target. Then DC-DC will stop after reaching target voltage. In next resume, it will pick the manually entered integrator value.

5 Hardware design Guidelines

5.1 DC-DC inductor and capacitor layout recommendation

When laying out the inductor and capacitor in your design, it is important to understand how the DC-DC switching works and the paths that the current take. In a buck converter, the higher frequency contents of the inductor current will circulate in one of two loops: the first when charging (charging phase), the second when discharging (rectification phase). The figure below is a simplified circuit diagram of the DC-DC that demonstrates these paths with the red line outlining the charge path and the yellow line outlining the discharge path. Note that the capacitors and inductor are all external components while the transistors are internal components. The open circles denote MCU pins.

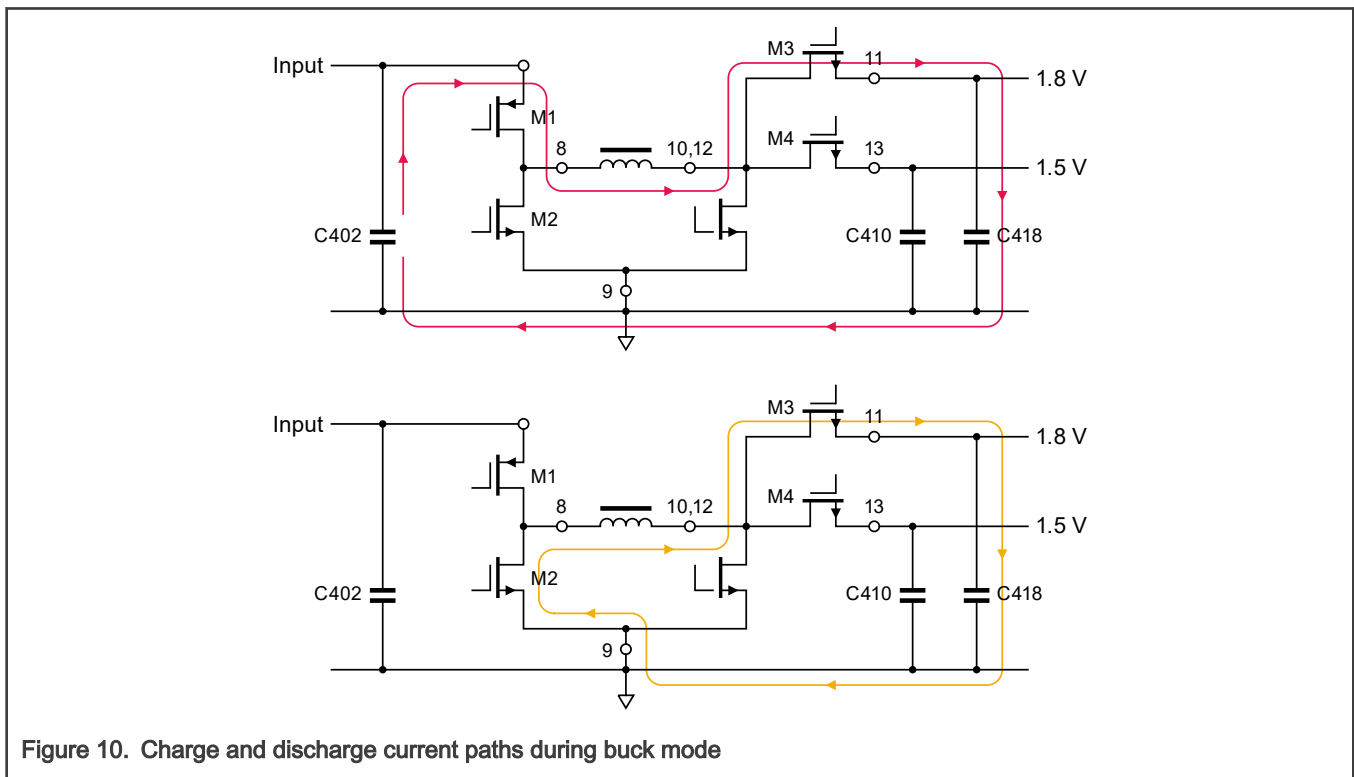
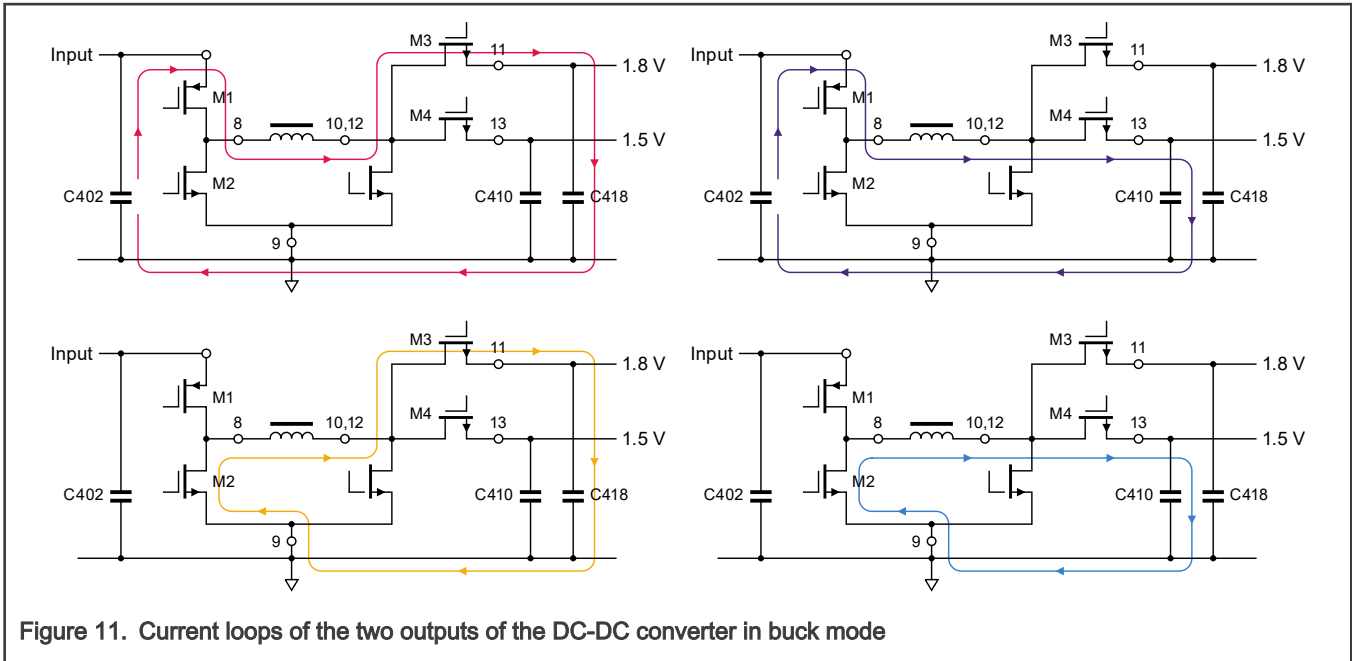
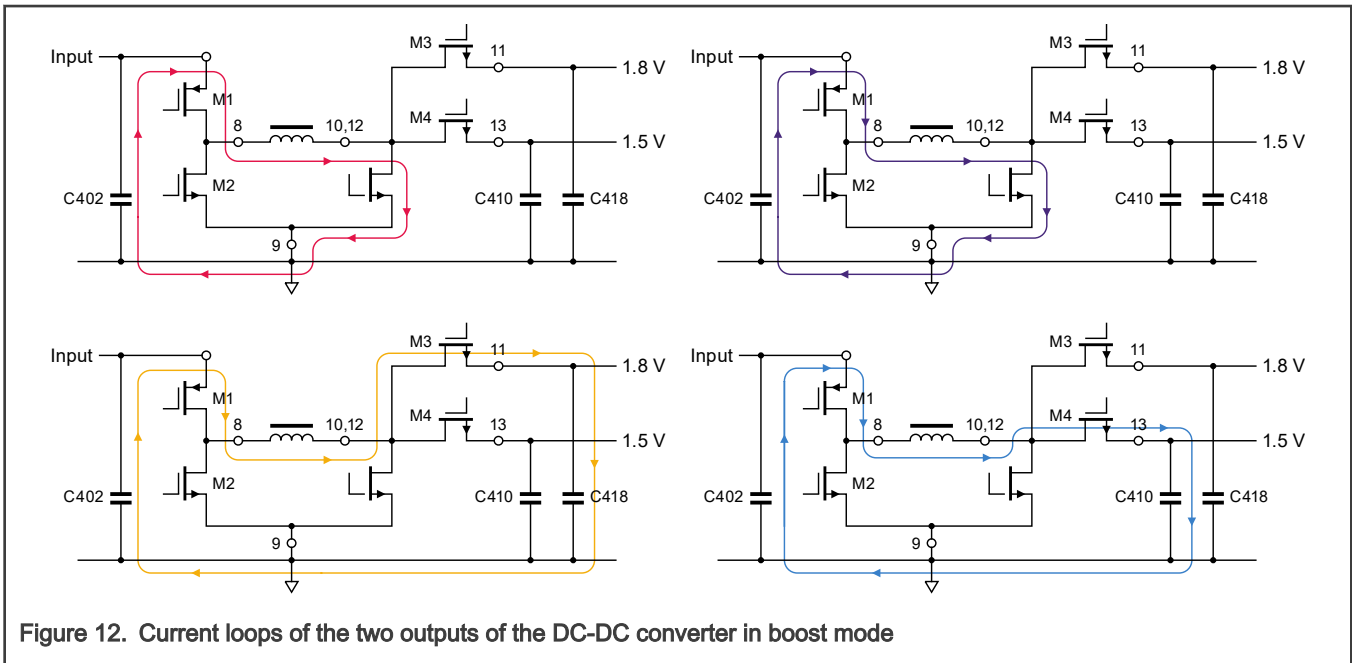


Figure 10. Charge and discharge current paths during buck mode

Since this DC-DC converter has two outputs, there are four current loops to be aware of. These loops are shown in the following figure.



In boost mode, there will be similar loops but they take different paths. The below images show the different paths in boost mode. Note that the images on top display the charging phase of boost mode while the bottom images display the recirculation phase.



Physical location of the components in this route determines the area/shape of these current loops. Reduction of area/distance of these loops minimize the emissions from the switching of the DC-DC. Not only should the loop geometry be minimized, the loops should overlap as closely as possible. Therefore, it is recommended to keep the traces thick and as short as possible. It is not recommended to have vias or have the inductor on a different layer than the microcontroller. As the switching frequency is high, keeping traces in parallel reduces the electromagnetic field volume, increasing EMC performance.

An example of a minimized loop area for the KW36 40-pin wettable QFN package and the path the current will take is shown below.

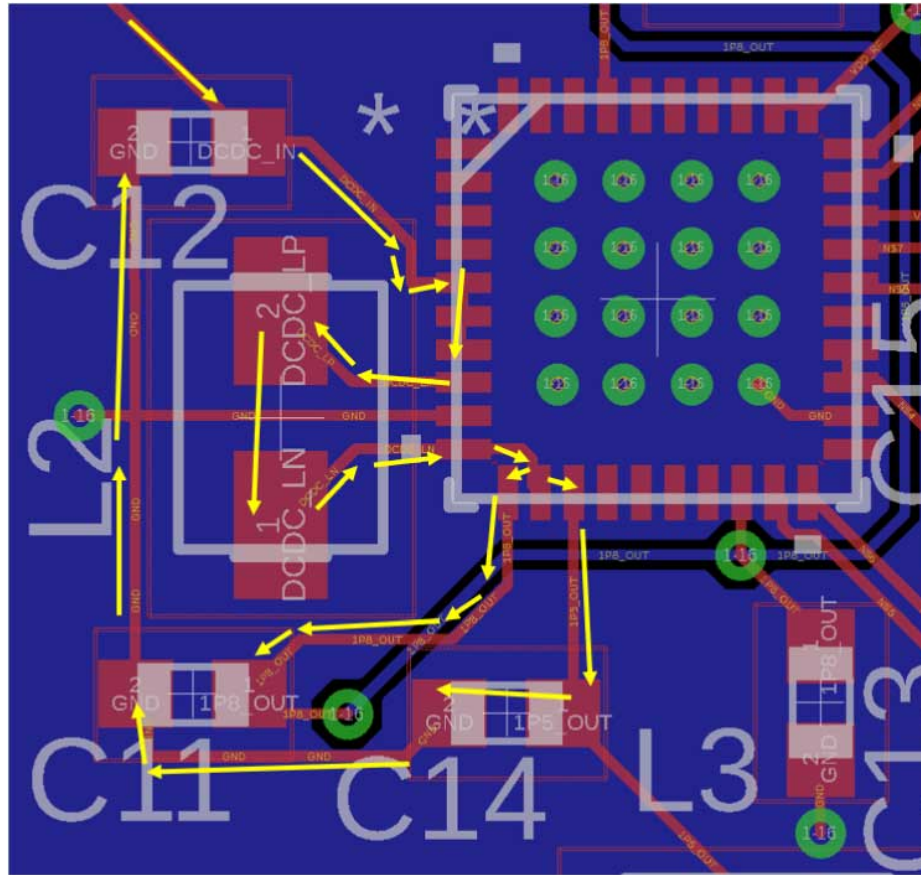


Figure 13. Current route during charging phase

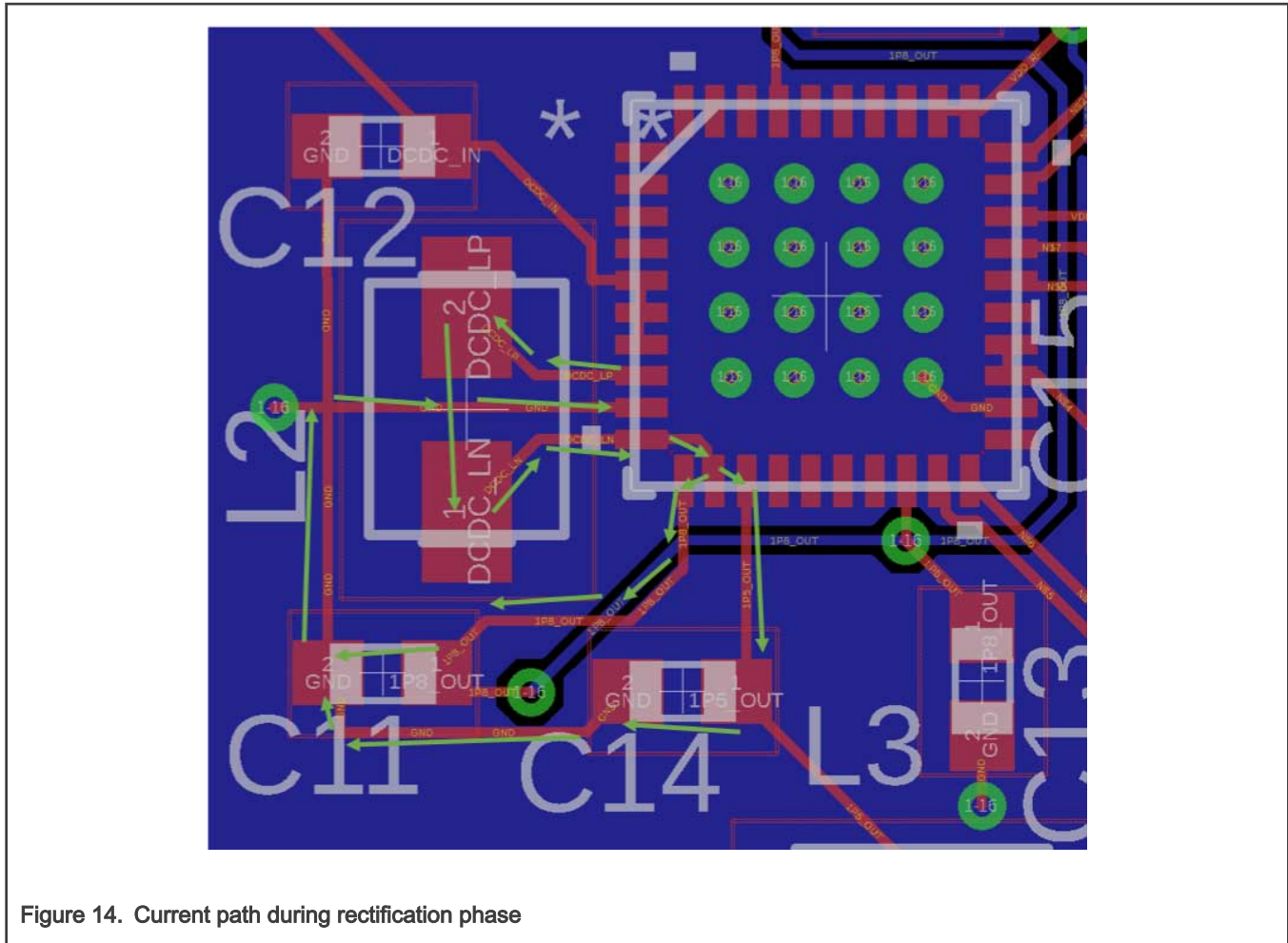


Figure 14. Current path during rectification phase

5.2 Inductor and Capacitor selection

Proper DC-DC operation requires an inductor and a tank capacitor. These components are critical and can significantly impact the operation of the DC-DC. The inductor and tanks capacitor must not only be in of the correct inductive or capacitive value, but the quality can also affect the operation. The purpose of this section is to provide insight to aid in the selection of these components.

5.2.1 Capacitor selection

The tank capacitors connected to VDD_1P8 and VDD_1P5 must be in the range of 10 μF to 30 μF with the lowest ESR that your application constraints (or budget) will allow. Larger capacitor value can save power consumption in low-power mode due to longer interval between refresh.

It should also be noted here that while surface mount capacitors are advantageous due to their size, they have the negative side effect of often times having an actual capacitance less than their rated capacitance. Take the below chart taken from Murata’s characteristic simulator. In this chart, the capacitance change of two similar capacitors is graphed versus the DC bias voltage applied to them. In the graph, the blue trace represents a nominal 22 μF capacitor in a 0603 package. The green trace represents a nominal 22 μF capacitor in a 0805 package. Notice that the larger package changes capacitance at a much slower rate than the smaller package. This should be taken into account when selecting capacitors for your design. It is recommended that you consult your manufacturer sales representative to discuss these tolerances in your design phase.

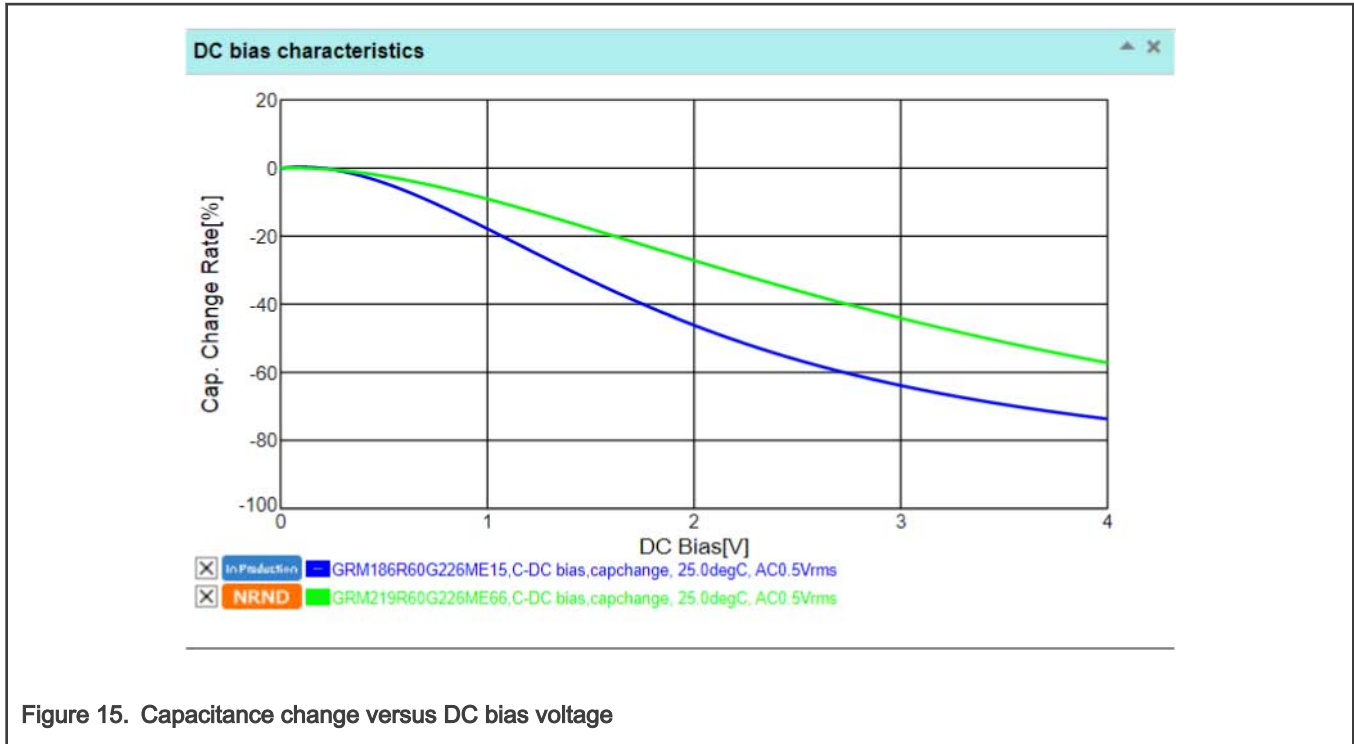


Figure 15. Capacitance change versus DC bias voltage

5.2.2 Inductor selection




The chosen DC-DC inductor can be particularly important. Many applications can have several different parameters to consider. These parameters can include size, composition, price, or emission level to name a few. The table below presents the minimum electrical characteristics for the inductor to meet the data sheet ratings. Note that your application may require inductors that exceed these characteristics for a variety of reasons.

Table 1. Electrical characteristics for the DC-DC inductor

Inductor size	10 μ H	Only recommend the nominal value 10 μ H, +-20% tolerance
Inductor current rating*	120 mA	Buck mode
Inductor current rating*	320 mA	Boost mode vdd1p8 supplying 1.8 V
Inductor current rating*	400 mA	Boost mode, vdd1p8 supplying 3.3 V
Inductor DC resistance (ESR)	0.2 Ω	For boost mode, it is needed a <0.2 Ω inductor
	0.5 Ω	For buck mode to achieve better efficiency it is recommend <0.2 Ω

*Current rated as saturation current (Isat)

For the DC-DC inductor's ESR, it is estimated that the addition of each 0.1 Ω causes 1~2 percent efficiency lost. This resistance includes inductor's ESR, PCB trace and component leads. Higher values than 0.5 Ω , may cause instability, especially with low VDCDC_IN voltage. Below are some recommended inductors.

Inductor type	Value	Manufacturer	reference	Automotive Qualified AEC-Q200	ESR (ohms)	Isat (mA)	Temperature range	Size (LxWxH)mm	Picture
Wound ferrite	10uH	TDK	VLS4012E	Yes	0.19	890	-40 to +125°C	4x4x1.2	
SMD shielded Multilayer ferrite	10uH	TDK	MLZ2012N100LTD25	Yes	0.3	110	-55 to +125°C	2x1.25x0.85	
Wound shielded	10uH	Würth	744,025,100	Yes	0.19	1000	-40 to +125°C	2.8x2.8x2.8	

6 Current estimation and efficiency report

6.1 DC-DC Supplying to other devices

Below is shown a simplified block of the DC-DC outputs. The VDD_1P8 needs to externally be connected to a PCB track to supply the power pins and may also be used to supply to other external circuits on the board. The VDD_1P5 is internally connected to the power management circuit (PMC) and needs to be connected externally through pcb tracks to the radio power pins. For the complete schematic connection, refer to session “DC-DC Power modes”

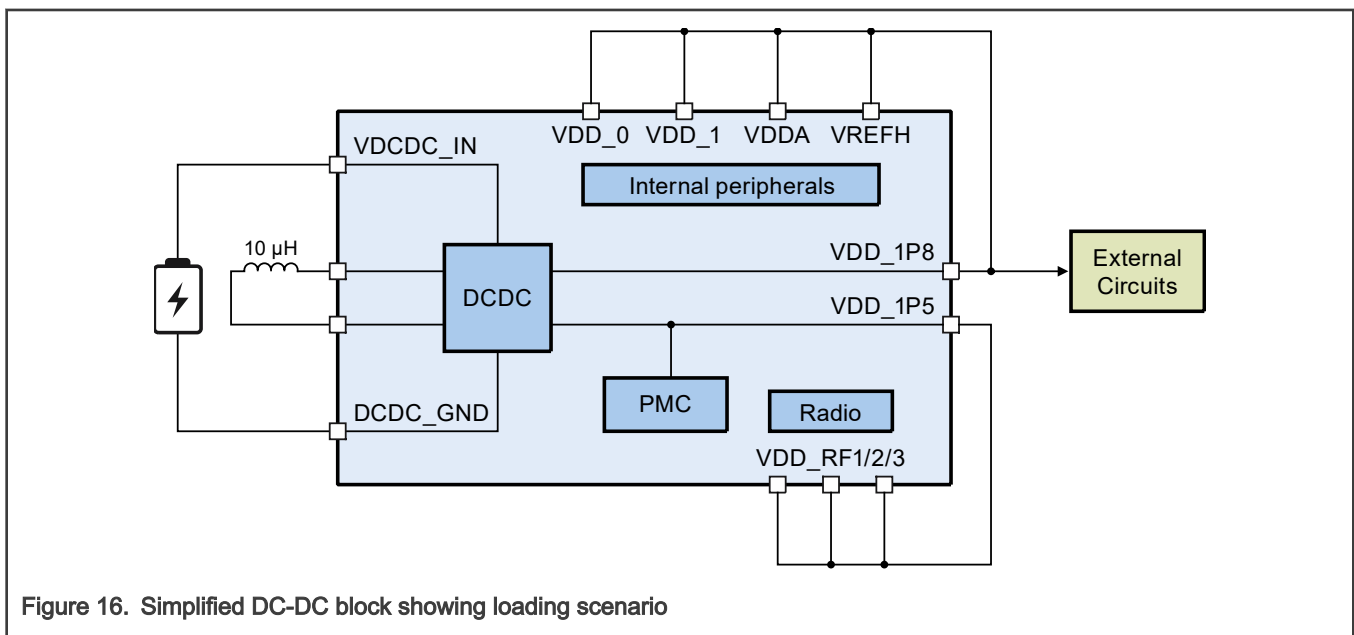


Figure 16. Simplified DC-DC block showing loading scenario

6.2 DC-DC Output Current Capability

For most of the devices in these series, the VDD_1P8 output is designed to provide maximum current drive of 45 mA (when VDD_1P8 = 1.8 V). Refer to the device-specific data sheet as this limit may not be the same for all devices. Note the output current specification in either buck and boost modes represent the maximum current the DC-DC converter can deliver to the MCU plus external circuits. The MCU radio and MCU internal blocks current need to be considered in the current calculation. The maximum total output power of the DC-DC converter is 125 mW for most devices (Refer to the device-specific data sheet as this value may be different for specific devices). The remaining energy allowed for external devices depends on the energy consumed by the internal peripherals.

When DC-DC is in Pulsed mode, the maximum current the VDD_1P8 can deliver to the system is significantly reduced (0.5 mA for most devices), and, similar as explained above, this current is shared between MCU and external circuits.

For a specific power supply scenario, refer to below Buck mode or Boost mode topics.

6.2.1 Buck Mode Output Current Capability

First, note that some portion of the power generated by the DC-DC is internally supplied to the PMC (power management circuit) and required to supply the other VDDs, that means less than total maximum output power of the DC-DC is capable of being provided to external circuitry. A simple way to estimate the amount of power required by the device is to refer to the data sheet section “Power consumption operating behaviors”, where there are several typical scenarios already characterized.

In case it is needed to measure the power consumed by microcontroller, the most accurate method is to measure the input power-on VDDx and VDD_RFx pins when application is configured in bypass mode, considering the same voltage levels as generated by DC-DC.

If there is no availability to modify the hardware for measuring the current in bypass mode, another method is to multiply the VDCDC_IN current and voltage to calculate the input power with no loading and then multiply by 90 %, which is the typical DC-DC efficiency, thereby obtaining the approximate microcontroller required power. For example, consider the case where the MCU is configured for Buck mode and a current of 4.8 mA is consumed while VDCDC_IN = 3.0 V. Power IN = 4.8 mA x 3.0 V = 14.4 mW. So, the power required by the microcontroller in that configuration is 12.96 mW (Power IN x 90 %). Leaving a total of 112 mW (assuming a 125-mW maximum power output, 125 mW – 12.96 mW) available to power the RF portion and other circuits.

There is a maximum capacity for VDD_1P8 to provide current, even if RF circuit is off, it is not possible to provide all power though VDD_1P8 pin. Below is the maximum IDD_1P8_Buck curve varying with VDD_1P8 voltage:

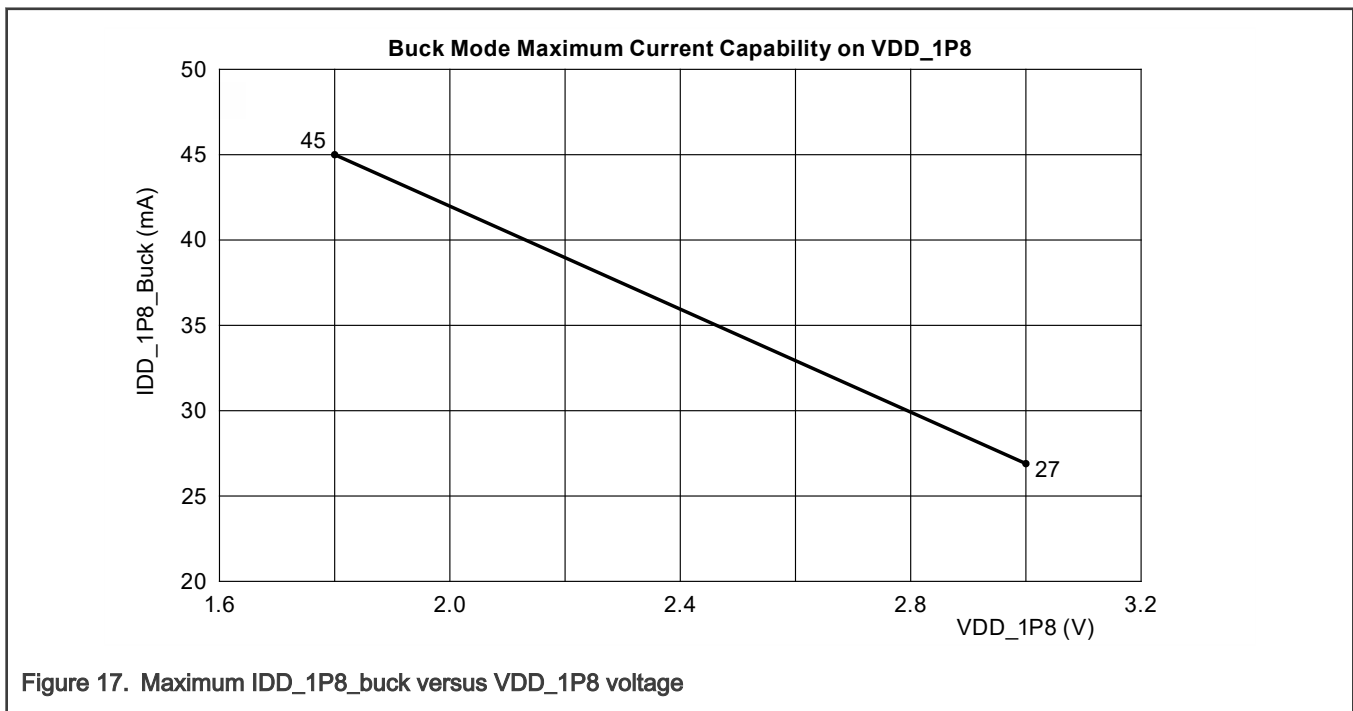


Figure 17. Maximum IDD_1P8_buck versus VDD_1P8 voltage

NOTE

The above graph, Maximum IDD_1P8_buck versus VDD_1P8 voltage, is representative of most devices in this series. However, some devices deviate from these limits and you should refer to the device-specific data sheet as to the actual limits at 1.8 V and 3.0 V. Also note that other conditions, such as VDCDC_IN voltage may affect these limits.

6.2.2 Boost Mode Output Current Capability

The method to calculate the required energy to supply the microcontroller in Boost mode is similar to the methods explained in the Buck mode topic. The only difference for boost mode is that when using Boost DC-DC conversion, the maximum output current capable of being supplied by VDD_1P8 varies according to VDCDC_IN.

Below is the maximum IDD_1P8_Boost current varying as a function of VDCDC_IN in two scenarios, when VDD_1P8 = 1.8 V and when VDD_1P8 = 3.0 V.

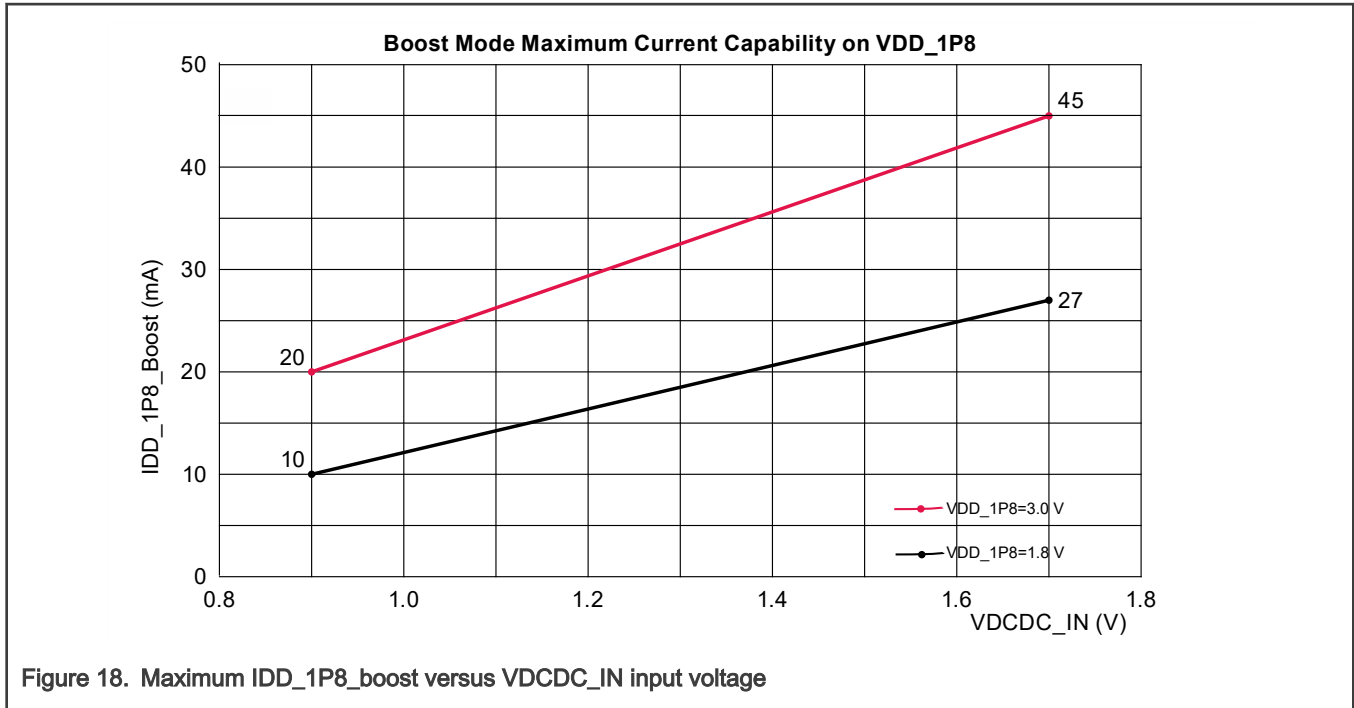


Figure 18. Maximum IDD_1P8_boost versus VDCDC_IN input voltage

NOTE

The above graph, Maximum IDD_1P8_buck versus VDCDC_IN voltage, is representative of most devices in this series. However, some devices deviate from these limits and you should refer to the device-specific data sheet as to the actual limits at 1.8 V and 3.0 V. Also note, that other conditions, such as VDD_1P8 voltage may affect these limits.

6.3 DC-DC timings

6.3.1 Turn on time

The below oscilloscope plot shows the timing when the microcontroller is powered on. No extra loads were present in this scenario. For more timing details, refer to the device-specific data sheet.

In the test case below, VDCDC_IN is 3.6 V and VDD_1P8 is configured to generate 1.8 V.



The green curve in Fig. 19 shows when code starts executing. Note that the CPU starts before the DC-DC output voltage is completely stable (DCDC_STS_DC_OK = 1). It is important that application maintains a constant load and does not make changes that can affect the loading until DC-DC is stable (yellow curve). Just after the voltage stabilization occurs, the application may add extra loads, such as turning on internal modules or draining high current on GPIOs.

6.3.2 Settle Time

Below there are two examples showing the VDD_1P8 output voltage change. For both cases, the VDCDC_IN is 3.6 V and there were no external loads.

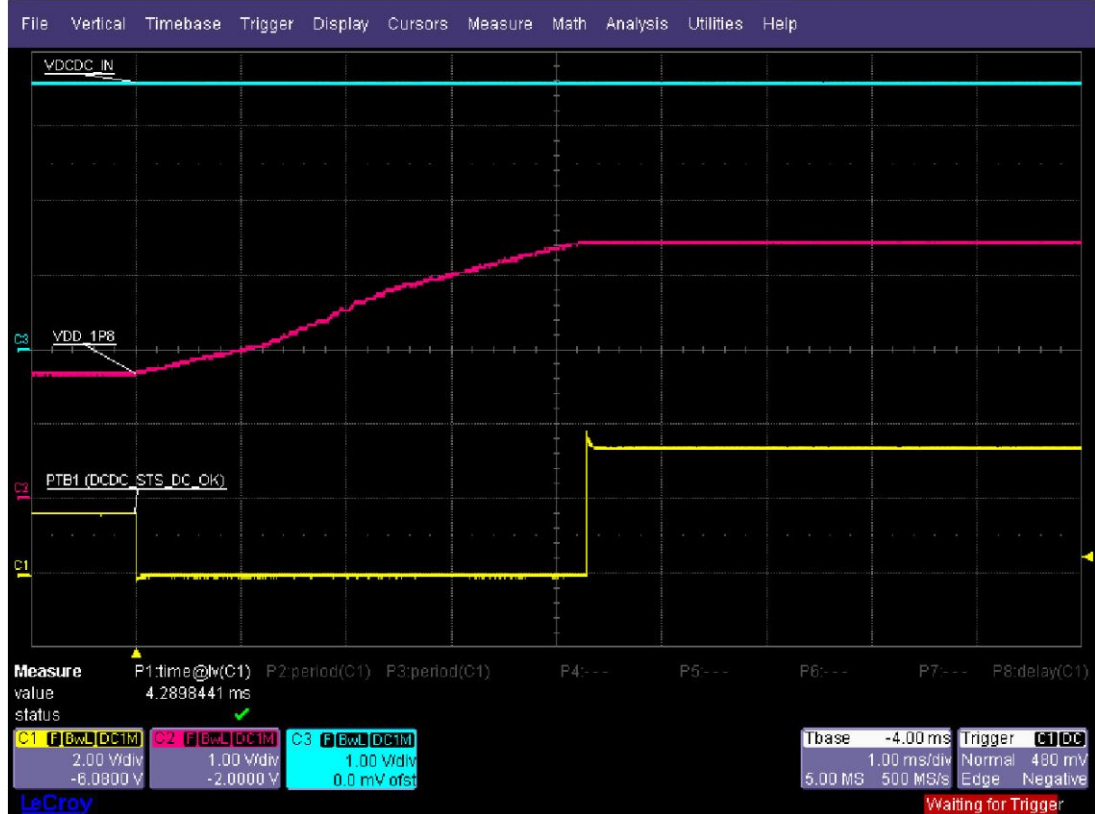
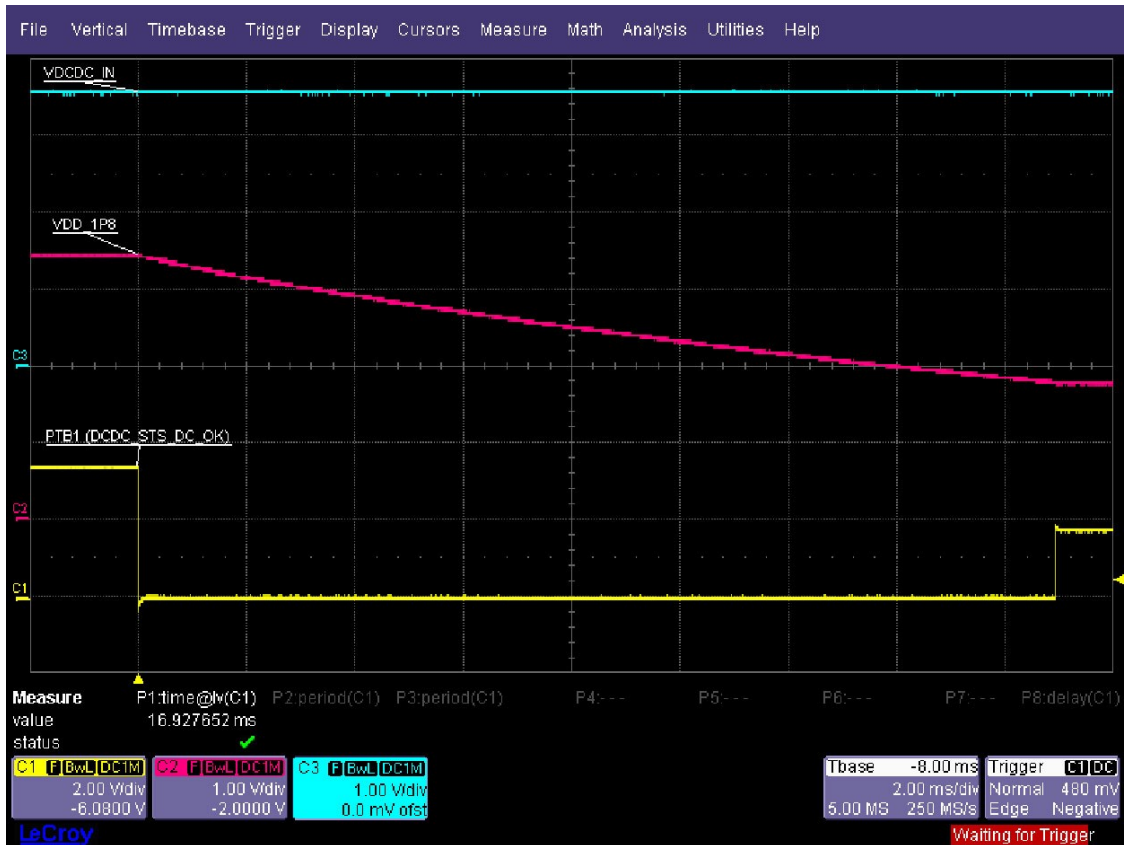


Figure 20. Settle time

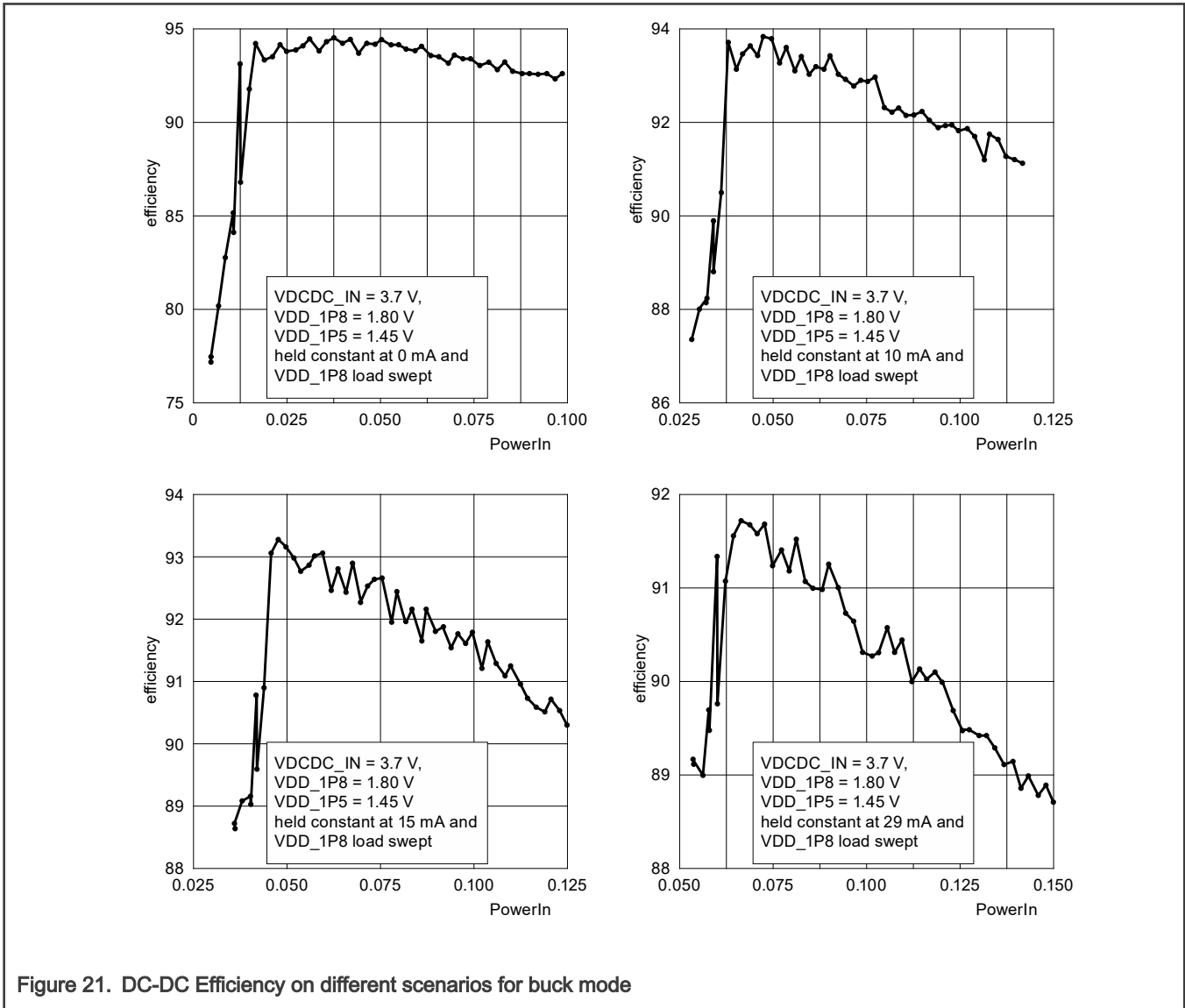
The image on the left shows the VDD_1P8 (pink) going from 3.3 V to 1.8 V, and the image on the right shows the opposite. Note that immediately after setting the output voltage to a new level, the bit DCDC_STS_DC_OK (yellow) goes to low, and just after output voltage stabilizes it is set back to 1.

6.4 DC-DC Efficiency

The power consumption is a function of the many configurations possible for the MCU platform. Below there are four examples showing the real efficiency numbers to support the designer optimizing the system energy management.

The tests were performed on five samples using a testing board measured at -40°C, 25°C, and 125°C.

FEI: Core: 48 MHz, Bus/Flash: 24 MHz (Fastest wake up condition)



7 Revision history

Table 2. Sample revision history

Revision number	Date	Substantive changes
0	08/2015	Initial release
1	03/2018	General updates
2	03/2020	Updates to Hardware Design Guidelines; Clarifications of switching frequency; Updates to voltage requirements;
3	06/2021	Editorial updates

How To Reach Us

Home Page:

nxp.com

Web Support:

nxp.com/support

Limited warranty and liability— Information in this document is provided solely to enable system and software implementers to use NXP products. There are no express or implied copyright licenses granted hereunder to design or fabricate any integrated circuits based on the information in this document. NXP reserves the right to make changes without further notice to any products herein.

NXP makes no warranty, representation, or guarantee regarding the suitability of its products for any particular purpose, nor does NXP assume any liability arising out of the application or use of any product or circuit, and specifically disclaims any and all liability, including without limitation consequential or incidental damages. "Typical" parameters that may be provided in NXP data sheets and/or specifications can and do vary in different applications, and actual performance may vary over time. All operating parameters, including "typicals," must be validated for each customer application by customer's technical experts. NXP does not convey any license under its patent rights nor the rights of others. NXP sells products pursuant to standard terms and conditions of sale, which can be found at the following address: nxp.com/SalesTermsandConditions.

Right to make changes - NXP Semiconductors reserves the right to make changes to information published in this document, including without limitation specifications and product descriptions, at any time and without notice. This document supersedes and replaces all information supplied prior to the publication hereof.

Security— Customer understands that all NXP products may be subject to unidentified or documented vulnerabilities. Customer is responsible for the design and operation of its applications and products throughout their lifecycles to reduce the effect of these vulnerabilities on customer's applications and products. Customer's responsibility also extends to other open and/or proprietary technologies supported by NXP products for use in customer's applications. NXP accepts no liability for any vulnerability. Customer should regularly check security updates from NXP and follow up appropriately. Customer shall select products with security features that best meet rules, regulations, and standards of the intended application and make the ultimate design decisions regarding its products and is solely responsible for compliance with all legal, regulatory, and security related requirements concerning its products, regardless of any information or support that may be provided by NXP. NXP has a Product Security Incident Response Team (PSIRT) (reachable at PSIRT@nxp.com) that manages the investigation, reporting, and solution release to security vulnerabilities of NXP products.

NXP, the NXP logo, NXP SECURE CONNECTIONS FOR A SMARTER WORLD, COOLFLUX, EMBRACE, GREENCHIP, HITAG, ICODE, JCOP, LIFE, VIBES, MIFARE, MIFARE CLASSIC, MIFARE DESFire, MIFARE PLUS, MIFARE FLEX, MANTIS, MIFARE ULTRALIGHT, MIFARE4MOBILE, MIGLO, NTAG, ROADLINK, SMARTLX, SMARTMX, STARPLUG, TOPFET, TRENCHMOS, UCODE, Freescale, the Freescale logo, Altivec, CodeWarrior, ColdFire, ColdFire+, the Energy Efficient Solutions logo, Kinetis, Layerscape, MagniV, mobileGT, PEG, PowerQUICC, Processor Expert, QorIQ, QorIQ Qonverge, SafeAssure, the SafeAssure logo, StarCore, Symphony, VortiQa, Vybrid, Airfast, BeeKit, BeeStack, CoreNet, Flexis, MXC, Platform in a Package, QUICC Engine, Tower, TurboLink, EdgeScale, EdgeLock, eIQ, and Immersive3D are trademarks of NXP B.V. All other product or service names are the property of their respective owners. AMBA, Arm, Arm7, Arm7TDMI, Arm9, Arm11, Artisan, big.LITTLE, Cordio, CoreLink, CoreSight, Cortex, DesignStart, DynamIQ, Jazelle, Keil, Mali, Mbed, Mbed Enabled, NEON, POP, RealView, SecurCore, Socrates, Thumb, TrustZone, ULINK, ULINK2, ULINK-ME, ULINK-PLUS, ULINKpro, μ Vision, Versatile are trademarks or registered trademarks of Arm Limited (or its subsidiaries) in the US and/or elsewhere. The related technology may be protected by any or all of patents, copyrights, designs and trade secrets. All rights reserved. Oracle and Java are registered trademarks of Oracle and/or its affiliates. The Power Architecture and Power.org word marks and the Power and Power.org logos and related marks are trademarks and service marks licensed by Power.org.

© NXP B.V. 2021.

All rights reserved.

For more information, please visit: <http://www.nxp.com>

For sales office addresses, please send an email to: salesaddresses@nxp.com

Date of release: 04 June 2021

Document identifier: AN5025