



Table of Contents	
	Title
2	Notes
3	Sensors

FRDM-STBC-AGM01

		RF, Analog & Sensor Group	
6201 William Carson Drive West Austin, TX 78735-6098			
<small>This document contains information proprietary to Freescale Semiconductor and shall not be used for engineering design, procurement or manufacture in whole or in part without the express written permission of Freescale Semiconductor.</small>			
ICAP Classification: FCP: _____ FMO: X PUBE: _____			
Designer: Kraib S	Drawing Title: FRDM-STBC-AGM01		
Drawn by: Kraib S	Page Title: CONTENT		
Approved: Team	Size C	Document Number SCH-28566 PDF: SPF-28566	Rev C
Date: Saturday, March 28, 2015	Sheet 1	of 1	



unless Otherwise Specified:

All resistors are in ohms, 5%, 1/8 Watt

All capacitors are in uF, 20%, 50V

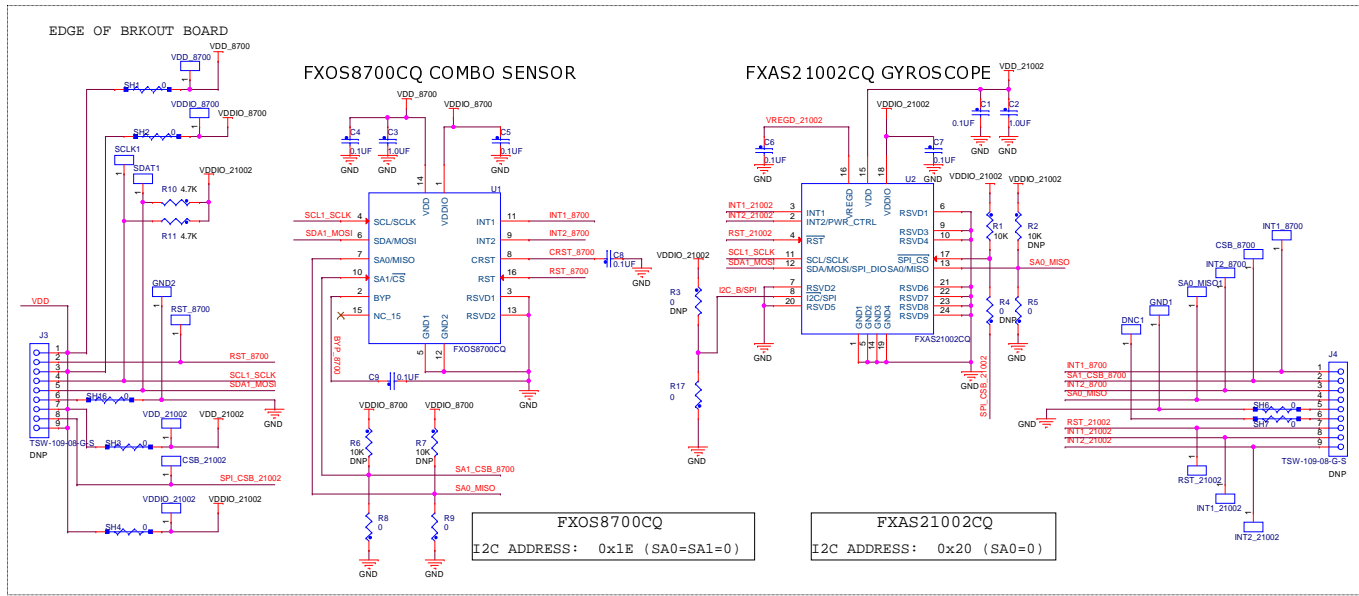
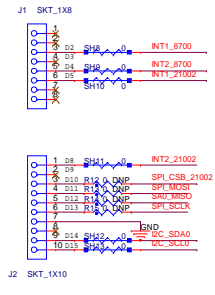
All voltages are DC

All polarized capacitors are aluminum electrolytic

2. Interrupted lines coded with the same letter or letter combinations are electrically connected.
3. Device type number is for reference only. The number varies with the manufacturer.
4. Special signal usage:
 - _B Denotes - Active-Low Signal
 - <> or [] Denotes - Vectored Signals
5. Interpret diagram in accordance with American National Standards Institute specifications, current revision, with the exception of logic block symbology.

ICAP Classification:		FCP: _____	FLUG: X
Drawing Title:		FRDM-STBC-AGM01	
Page Title: NOTES			
Size C	Document Number SCH-28566 PDF: SPP-28566	Rev C	
Date:	Saturday, March 28, 2015	Sheet	2 of 3

SHIELD BOARD ARDUINO HEADER



SHIELD BOARD ARDUINO HEADER

