
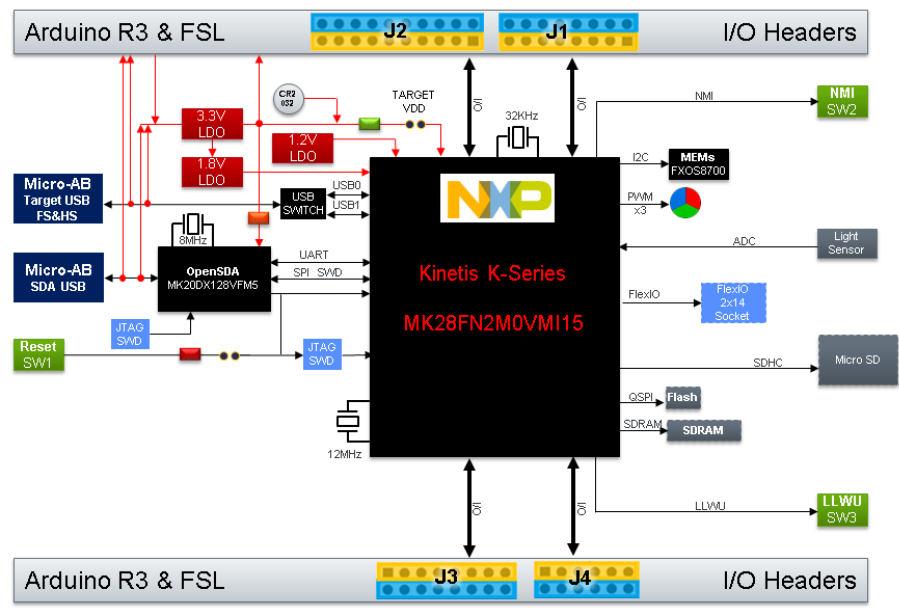


| Table of Contents | |
|-------------------|----------------------------|
| 1 | Title |
| 2 | Block Diagram |
| 3 | K28F MCU |
| 4 | OpenSDA Interface |
| 5 | USB, Memory, Sensors, Misc |
| 6 | I/O Headers, Power Supply |

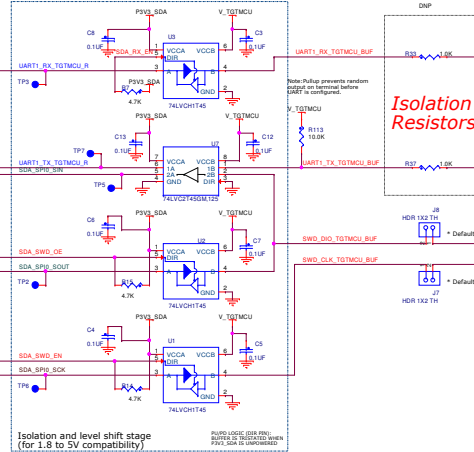
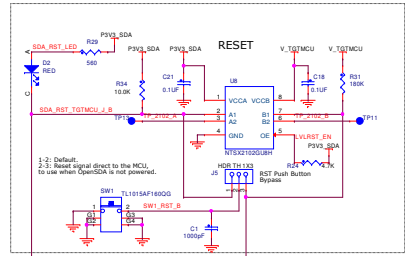
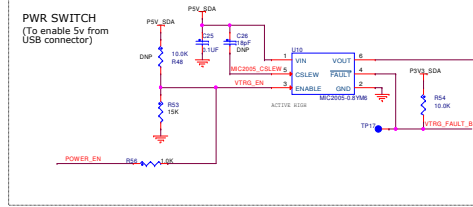
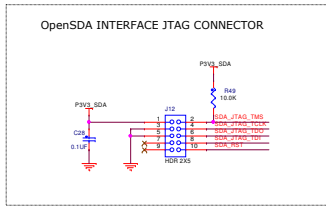
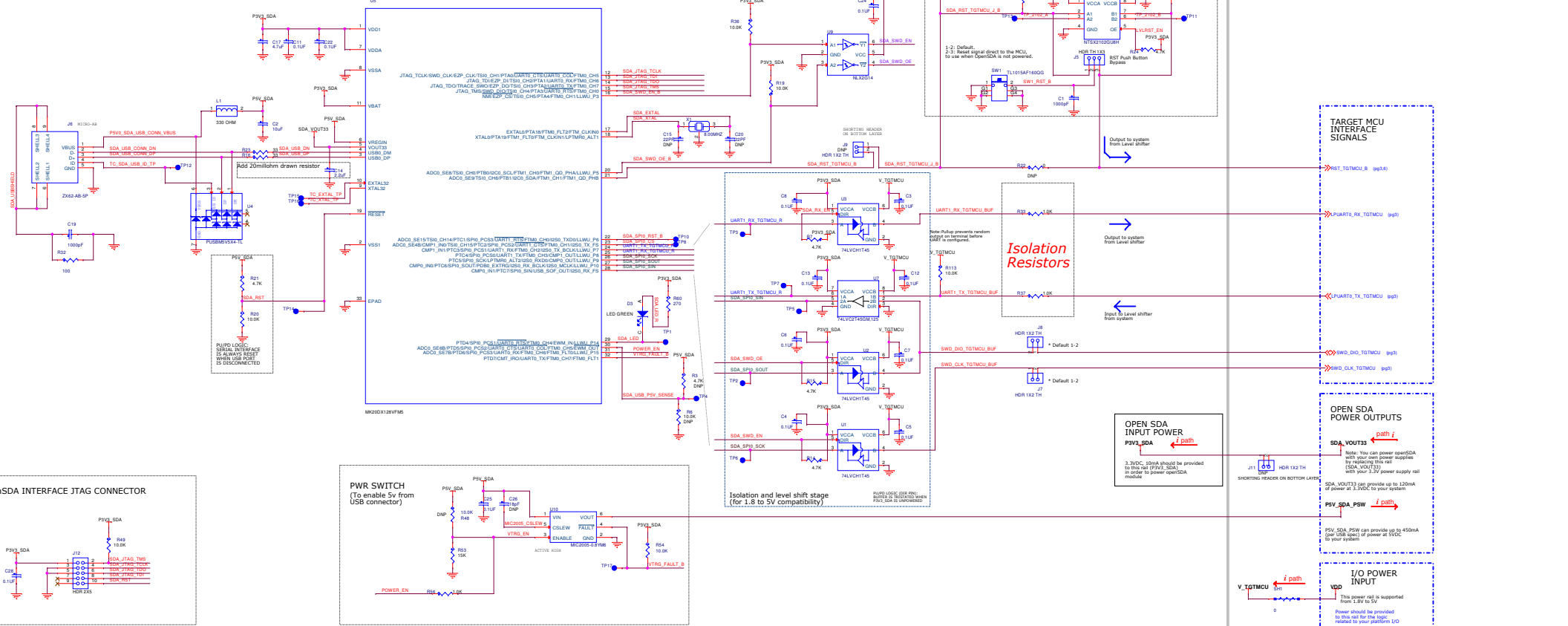
| Revisions & Change Log | | | |
|------------------------|----------------------------|------------|----------|
| Rev | Description | Date | Approved |
| X1 | Initial Draft | 07-11-2016 | |
| A | 1st Release | 08-18-2016 | |
| B | 2nd Release for Production | 11-8-2016 | |
| C | 3rd Release for Production | 12-22-2016 | |

FRDM-K28F

| | | | |
|---|--|---|--|
|  | | Microcontroller Product Group 6501 William Cannon Drive West Austin, TX 78755-8598 | |
| | | <small>This document contains information proprietary to NXP and shall not be used for engineering design, procurement or manufacture in whole or in part without the express written permission of NXP Semiconductors.</small> | |
| Designer: | | Drawing Title: FRDM-K28F | |
| Drawn by: | | Page Title: TITLE PAGE | |
| Approved: | | Size C | Document Number SCH-29346 PDF: SPF-29346 |
| Date: Thursday, December 22, 2016 | | Sheet 1 of 6 | Rev C |



OpenSDA Interface



OPEN SDA INPUT POWER

PSV_SDA \leftarrow i path

3.3VDC, 10mA should be provided to this rail (PSV_SDA) in order to power OpenSDA module.

TARGET MCU INTERFACE SIGNALS

RST_TOTMCU_B \leftarrow i path

UART_RX_TOTMCU_BUF \leftarrow i path

UART_TX_TOTMCU_BUF \leftarrow i path

SWD_IO_TOTMCU_BUF \leftarrow i path

SWD_CLK_TOTMCU_BUF \leftarrow i path

OPEN SDA POWER OUTPUTS

SDA_VOUT33 \leftarrow i path

PSV_SDA_PSW \leftarrow i path

Note: You can power OpenSDA with your own power supplies by connecting this rail (SDA_VOUT33) with your 3.3V power supply rail. SDA_VOUT33 can provide up to 120mA @ 3.3VDC to your system.

PSV_SDA_PSW can provide up to 450mA (per USB spec) of power at 5VDC to your system.

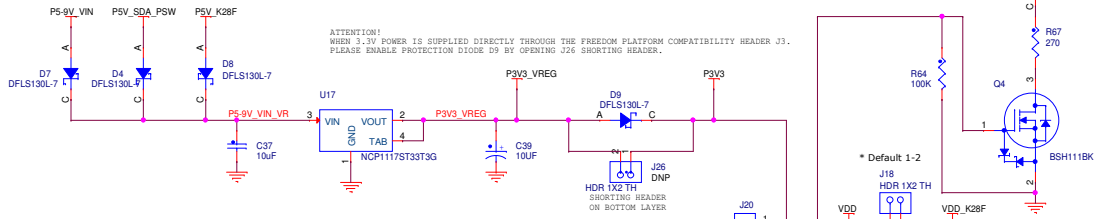
I/O POWER INPUT

V_TOTMCU \leftarrow i path

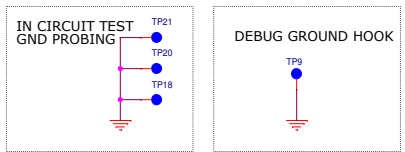
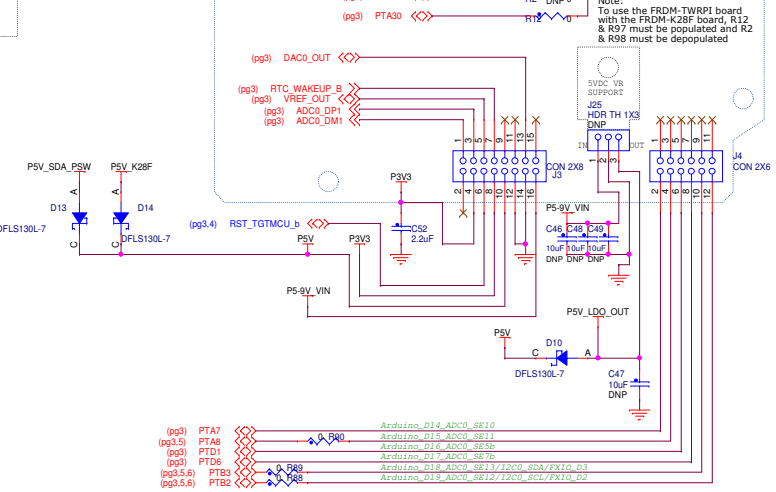
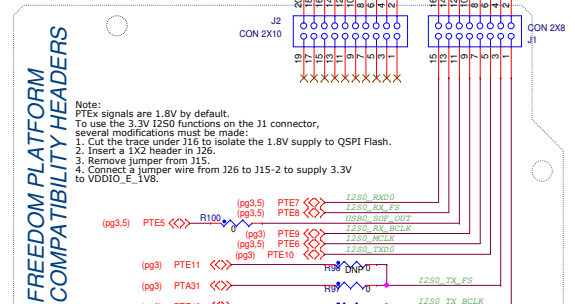
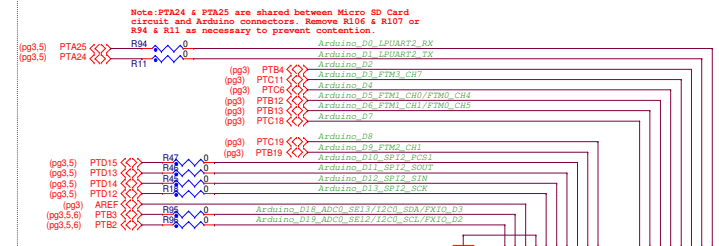
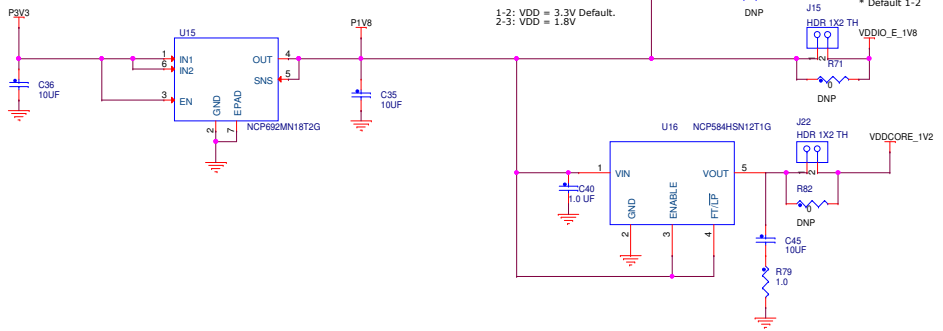
VDD \leftarrow i path

This power rail is supported from 1.8V to 5V. Power should be provided to this rail for the logic related to your platform I/O.

3.3VDC Voltage Regulator



1.8VDC Voltage Regulator



NXP

ICAP Classification: CP: IUC: X PUBL:

Drawing Title: **FRDM-K28F**

Page Title: **I/O Headers & PWR Supply**

| | | |
|-----------------------------------|--|-------|
| Size C | Document Number SCH-29346 PDF: SPF-29346 | Rev C |
| Date: Thursday, December 22, 2016 | Sheet 6 of 6 | |